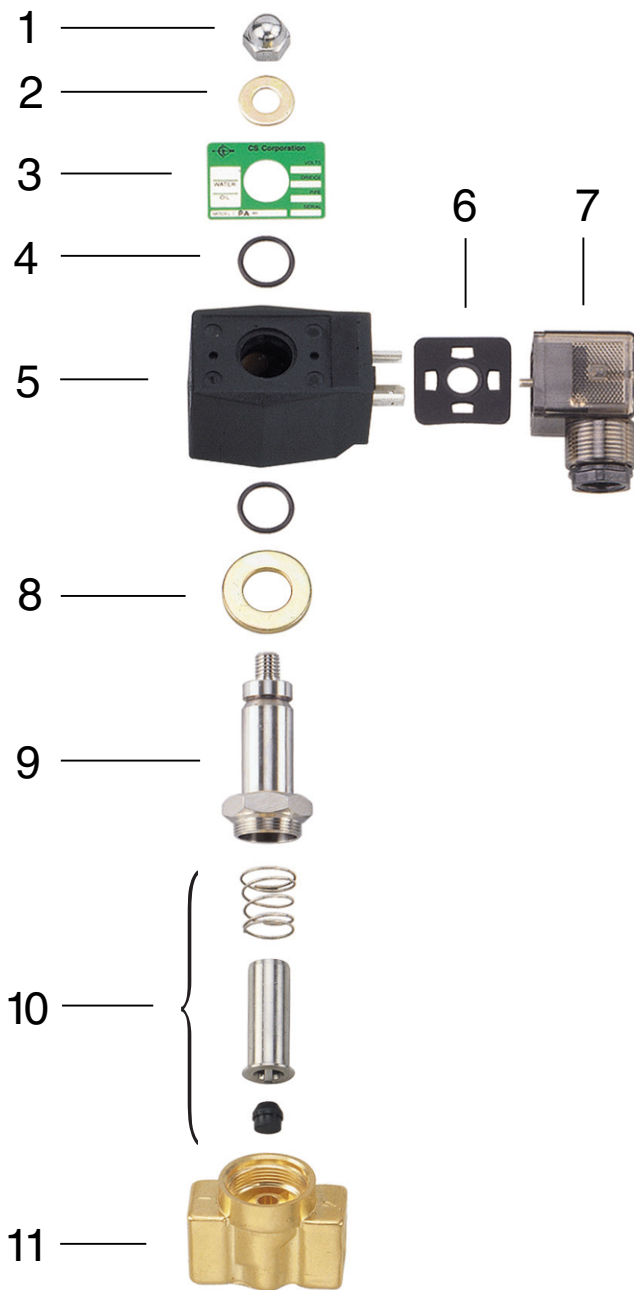


# Combination of CS solenoid valves

2/2-way, Direct-acting Type (Forged Brass/ Investment Casting SUS 316)

## AD/ADS series

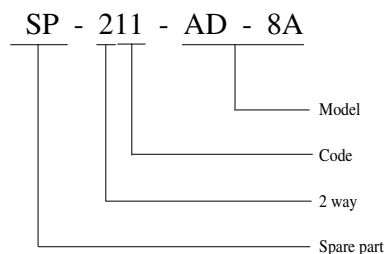


### ● Spare Parts Table

| Item | Order No. | Description            |
|------|-----------|------------------------|
| 1    | SP-201-*  | Nut                    |
| 2    | SP-202-*  | Washer                 |
| 3    | SP-203-*  | Nameplate              |
| 4    | SP-204-*  | O-ring(Coil)           |
| 5    | SP-205-*  | Coil                   |
| 6    | SP-206-*  | Gasket                 |
| 7    | SP-207-*  | Connector(Transparent) |
| 8    | SP-208-*  | Baseplate              |
| 9    | SP-209-*  | Solenoid Tube          |
| 10   | SP-210-*  | Armature Core          |
| 11   | SP-211-*  | Valve Body             |

\* Model Number

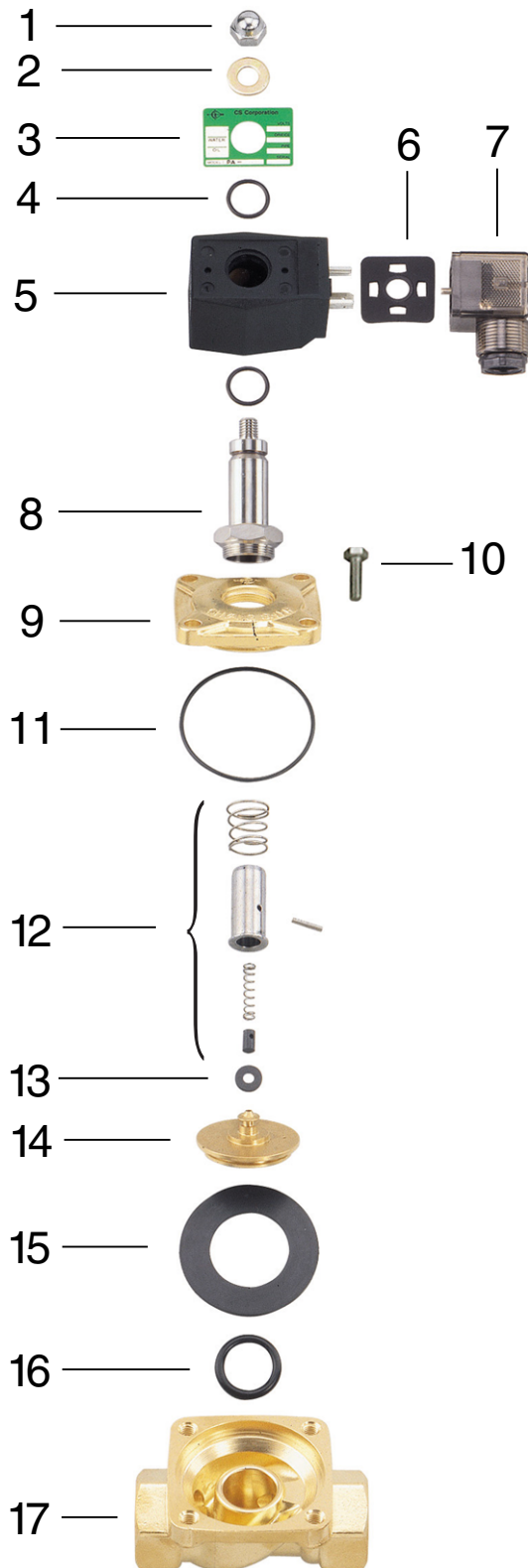
### How to order:



# Combination of CS solenoid valves

2/2-way, Diaphragm Type (Forged Brass/ Investment Casting SUS 316)

**AD/ADS series**

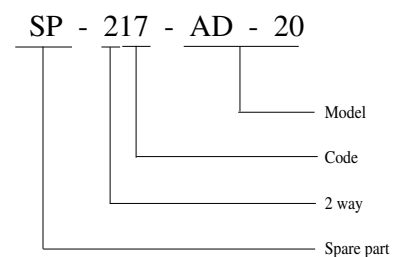


## ● Spare Parts Table

| Item | Order No. | Description             |
|------|-----------|-------------------------|
| 1    | SP-201- * | Nut                     |
| 2    | SP-202- * | Washer                  |
| 3    | SP-203- * | Nameplate               |
| 4    | SP-204- * | O-ring (Coil)           |
| 5    | SP-205- * | Coil                    |
| 6    | SP-206- * | Gasket                  |
| 7    | SP-207- * | Connector (Transparent) |
| 8    | SP-208- * | Solenoid Tube           |
| 9    | SP-209- * | Valve Bonnet            |
| 10   | SP-210- * | Screw                   |
| 11   | SP-211- * | O-ring (Valve Bonnet)   |
| 12   | SP-212- * | Armature Core           |
| 13   | SP-213- * | Diaphragm Base Kit      |
| 14   | SP-214- * | Diaphragm Base          |
| 15   | SP-215- * | Diaphragm               |
| 16   | SP-216- * | O-ring (Diaphragm Base) |
| 17   | SP-217- * | Valve Body              |

\* Model Number

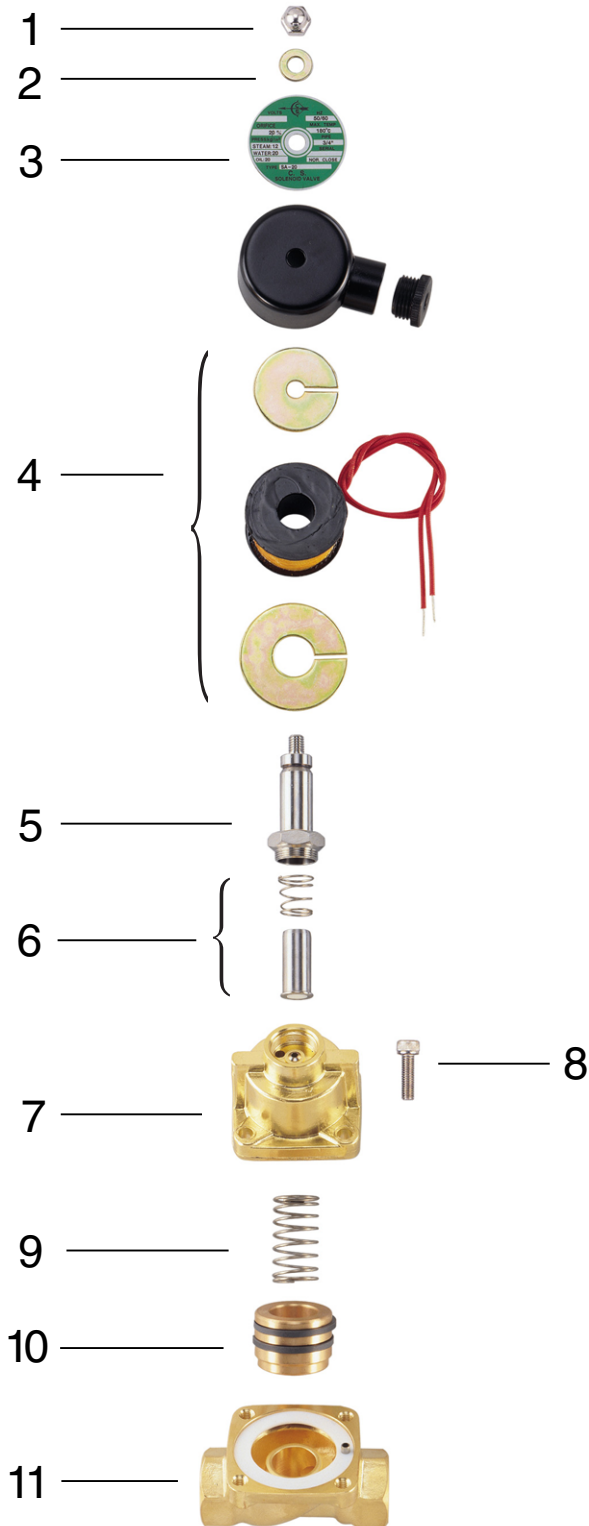
## How to order:



# Combination of CS solenoid valves

2/2-way, Piston Type (Forged Brass)

## SA series

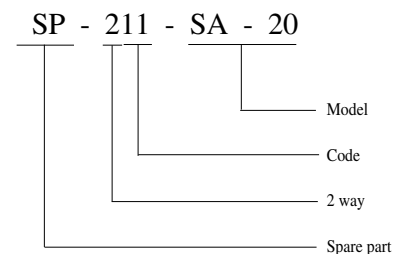


### ● Spare Parts Table

| Item | Order No. | Description   |
|------|-----------|---------------|
| 1    | SP-201- * | Nut           |
| 2    | SP-202- * | Washer        |
| 3    | SP-203- * | Nameplate     |
| 4    | SP-204- * | Coil          |
| 5    | SP-205- * | Solenoid Tube |
| 6    | SP-206- * | Armature Core |
| 7    | SP-207- * | Valve Bonnet  |
| 8    | SP-208- * | Screw         |
| 9    | SP-209- * | Spring        |
| 10   | SP-210- * | Piston        |
| 11   | SP-211- * | Valve Body    |

\* Model Number

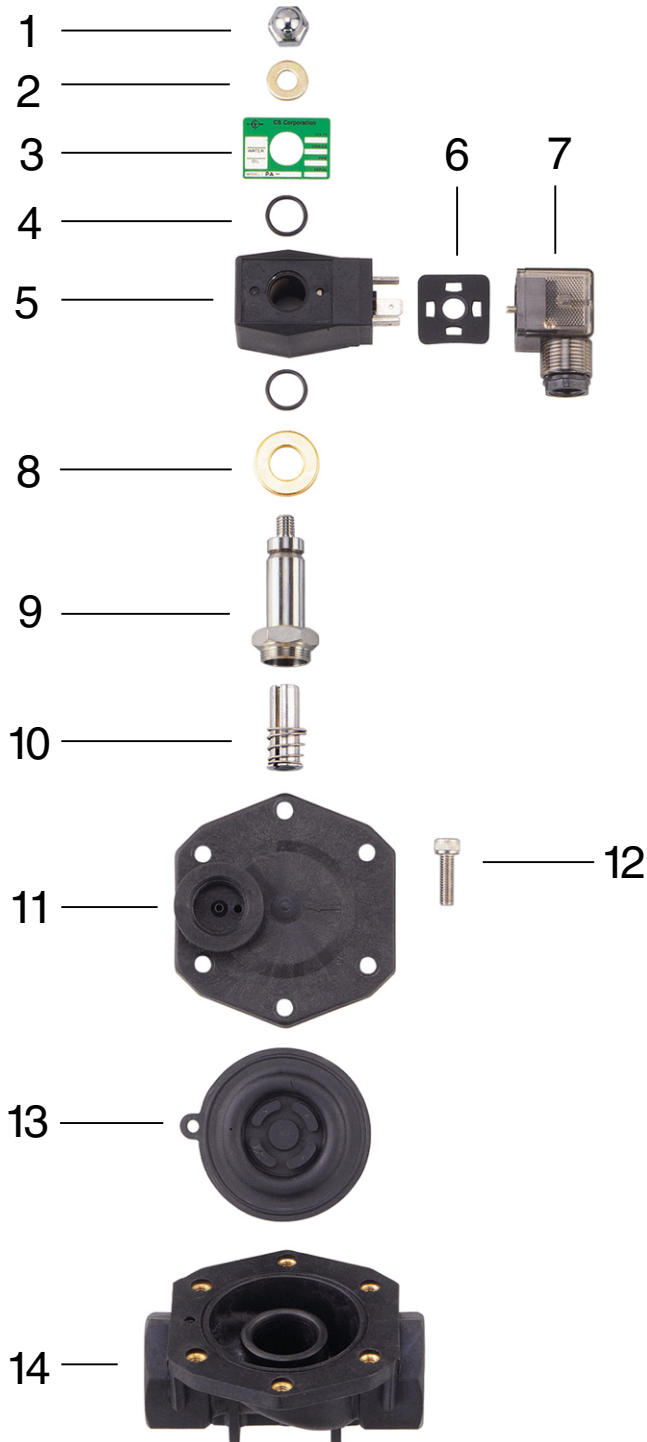
### How to order:



# Combination of CS solenoid valves

2/2-way, Diaphragm Type (POM body)

## PA series

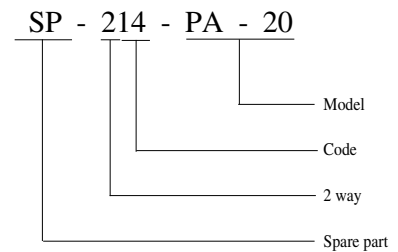


### ● Spare Parts Table

| Item | Order No. | Description            |
|------|-----------|------------------------|
| 1    | SP-201- * | Nut                    |
| 2    | SP-202- * | Washer                 |
| 3    | SP-203- * | Nameplate              |
| 4    | SP-204- * | O-ring(Coil)           |
| 5    | SP-205- * | Coil                   |
| 6    | SP-206- * | Gasket                 |
| 7    | SP-207- * | Connector(Transparent) |
| 8    | SP-208- * | Baseplate              |
| 9    | SP-209- * | Solenoid Tube          |
| 10   | SP-210- * | Armature Core          |
| 11   | SP-211- * | Valve Bonnet           |
| 12   | SP-212- * | Screw                  |
| 13   | SP-213- * | Diaphragm              |
| 14   | SP-214- * | Valve Body             |

\* Model Number

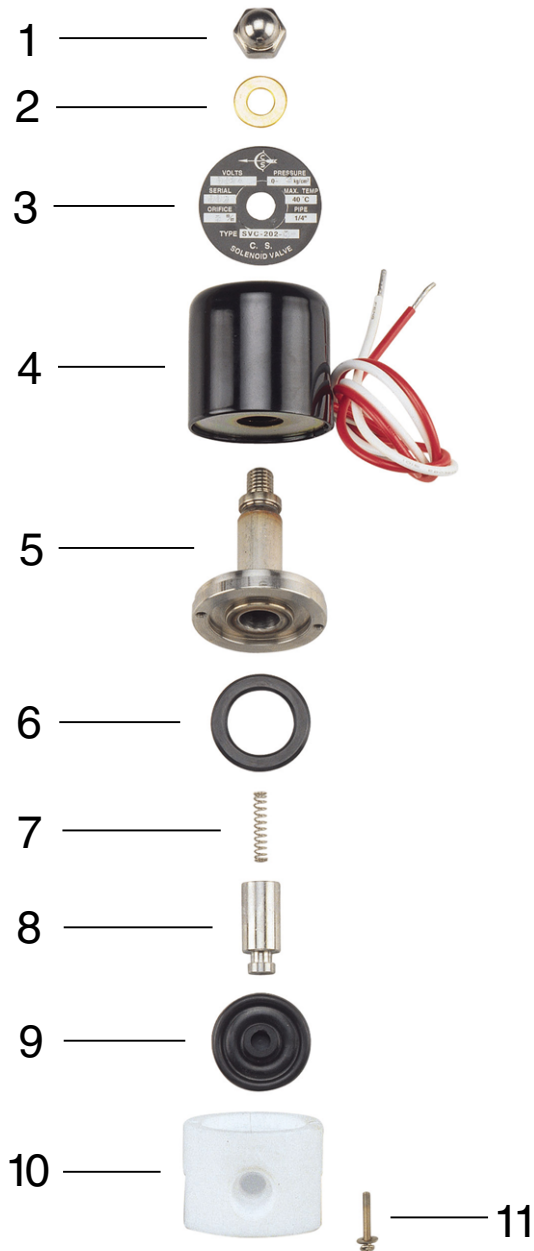
### How to order:



# Combination of CS solenoid valves

2/2-way, Isolate Type (PTFE)

## SVC series

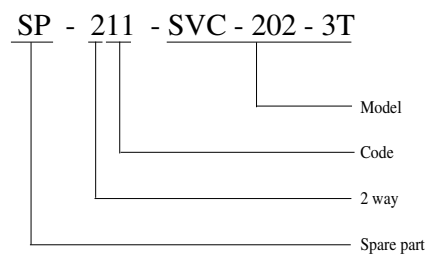


### ● Spare Parts Table

| Item | Order No. | Description   |
|------|-----------|---------------|
| 1    | SP-201- * | Nut           |
| 2    | SP-202- * | Washer        |
| 3    | SP-203- * | Nameplate     |
| 4    | SP-204- * | Coil          |
| 5    | SP-205- * | Solenoid Tube |
| 6    | SP-206- * | Gasket        |
| 7    | SP-207- * | Spring        |
| 8    | SP-208- * | Armature Core |
| 9    | SP-209- * | Diaphragm     |
| 10   | SP-210- * | Valve Body    |
| 11   | SP-211- * | Screw         |

\* Model Number

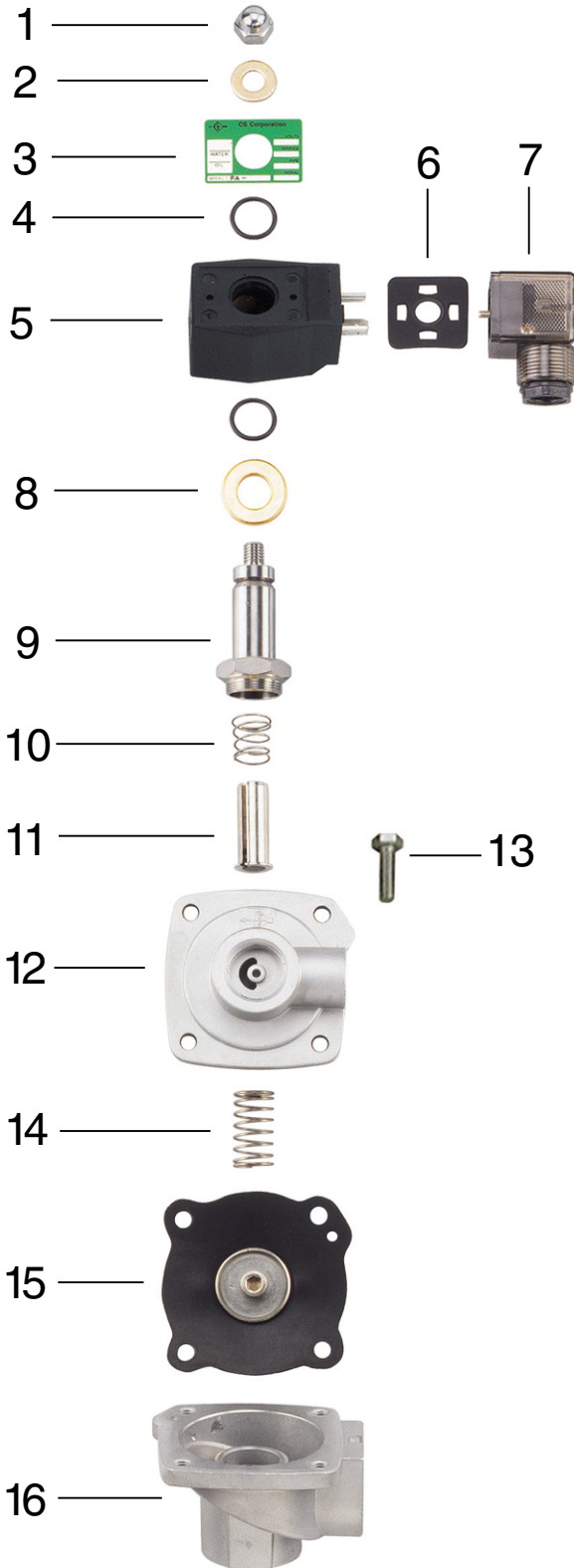
### How to order:



# Combination of CS solenoid valves

2/2-way, Pilot Type (Die-Cast Aluminum)

## PXL series

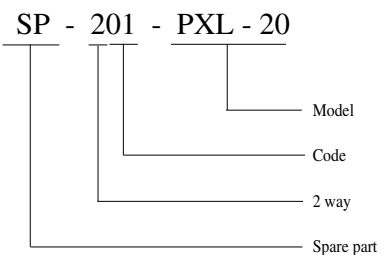


### ● Spare Parts Table

| Item | Order No. | Description             |
|------|-----------|-------------------------|
| 1    | SP-201-*  | Nut                     |
| 2    | SP-202-*  | Washer                  |
| 3    | SP-203-*  | Nameplate               |
| 4    | SP-204-*  | Oring (Coil)            |
| 5    | SP-205-*  | Coil                    |
| 6    | SP-206-*  | Gasket                  |
| 7    | SP-207-*  | Connector (Transparent) |
| 8    | SP-208-*  | Baseplate               |
| 9    | SP-209-*  | Solenoid Tube           |
| 10   | SP-210-*  | Spring                  |
| 11   | SP-211-*  | Armature Core           |
| 12   | SP-212-*  | Valve Bonnet            |
| 13   | SP-213-*  | Screw                   |
| 14   | SP-214-*  | Spring (Diaphragm)      |
| 15   | SP-215-*  | Diaphragm               |
| 16   | SP-216-*  | Valve Body              |

\* Model Number

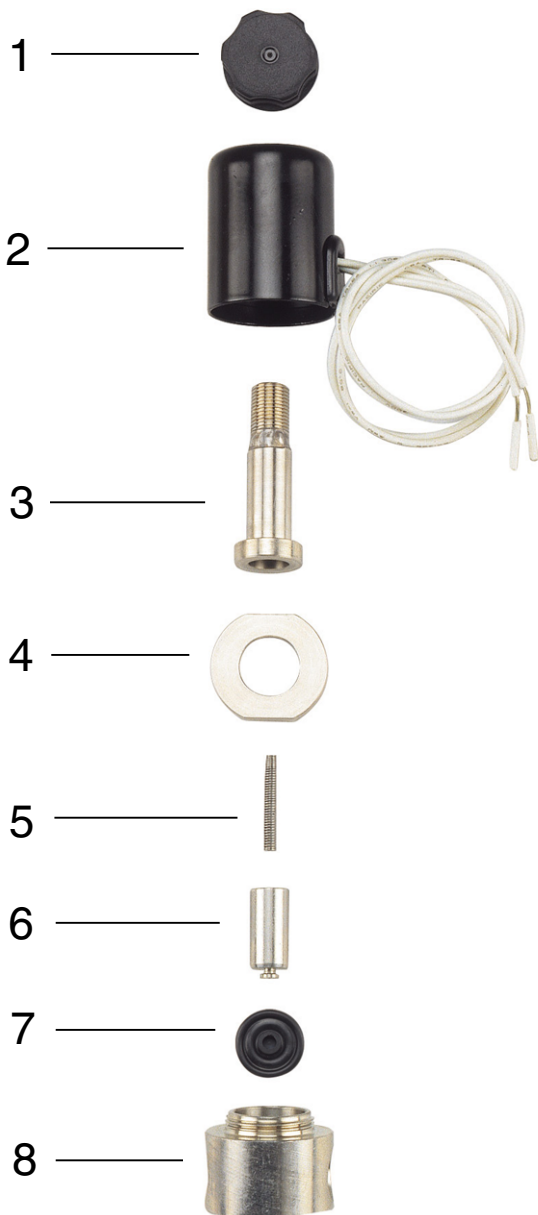
### How to order:



# Combination of CS solenoid valves

2/2-way, Isolate Type (Stainless steel/PVC/PTFE)

## S1/P1/T1 series

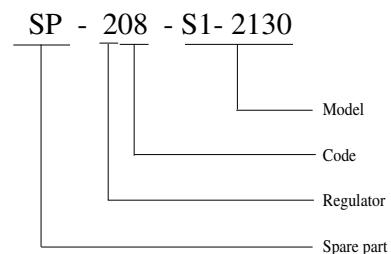


### ● Spare Parts Table

| Item | Order No. | Description   |
|------|-----------|---------------|
| 1    | SP-201- * | Nut           |
| 2    | SP-202- * | Coil          |
| 3    | SP-203- * | Solenoid Tube |
| 4    | SP-204- * | Valve Bonnet  |
| 5    | SP-205- * | Spring        |
| 6    | SP-206- * | Armature Core |
| 7    | SP-207- * | Diaphragm     |
| 8    | SP-208- * | Valve Body    |

\* Model Number

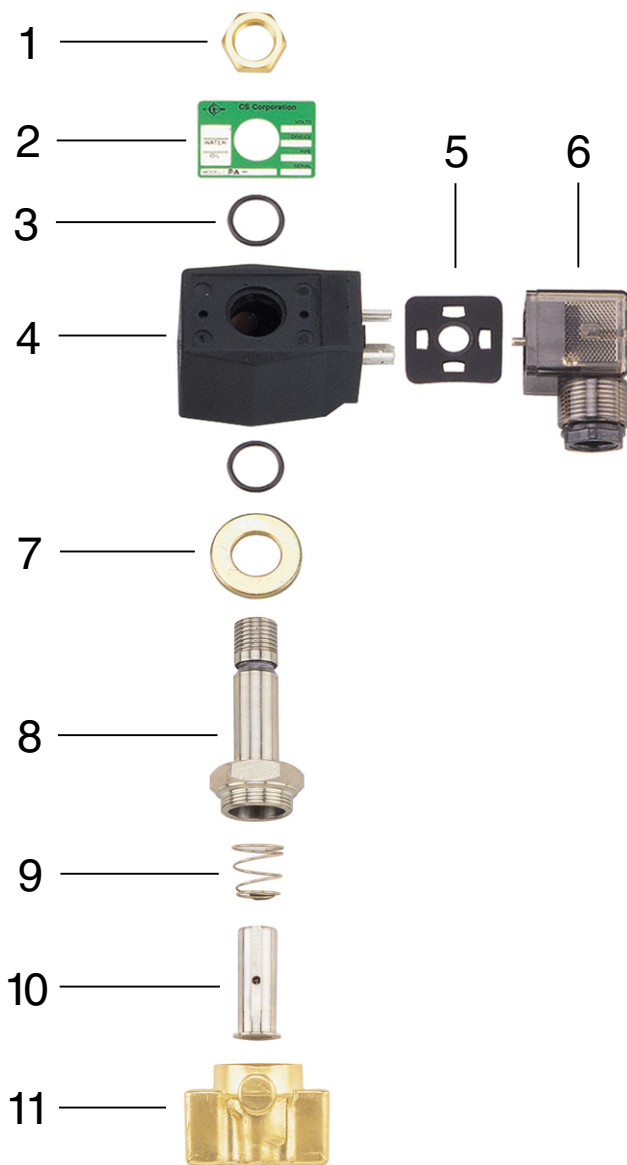
### How to order:



# Combination of CS solenoid valves

3/2-way, Directing-operated Type (Forged Brass/ Investment Casting SUS 316)

## MD/MDS series

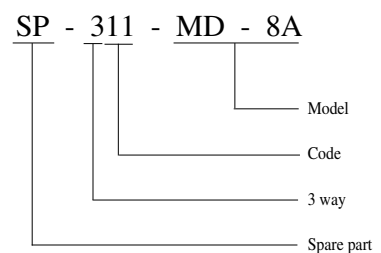


### ● Spare Parts Table

| Item | Order No. | Description             |
|------|-----------|-------------------------|
| 1    | SP-301-*  | Nut                     |
| 2    | SP-302-*  | Nameplate               |
| 3    | SP-303-*  | O-ring (Coil)           |
| 4    | SP-304-*  | Coil                    |
| 5    | SP-305-*  | Gasket                  |
| 6    | SP-306-*  | Connector (Transparent) |
| 7    | SP-307-*  | Baseplate               |
| 8    | SP-308-*  | Solenoid Tube           |
| 9    | SP-309-*  | Spring                  |
| 10   | SP-310-*  | Armature Core           |
| 11   | SP-311-*  | Valve Body              |

\* Model Number

### How to order:

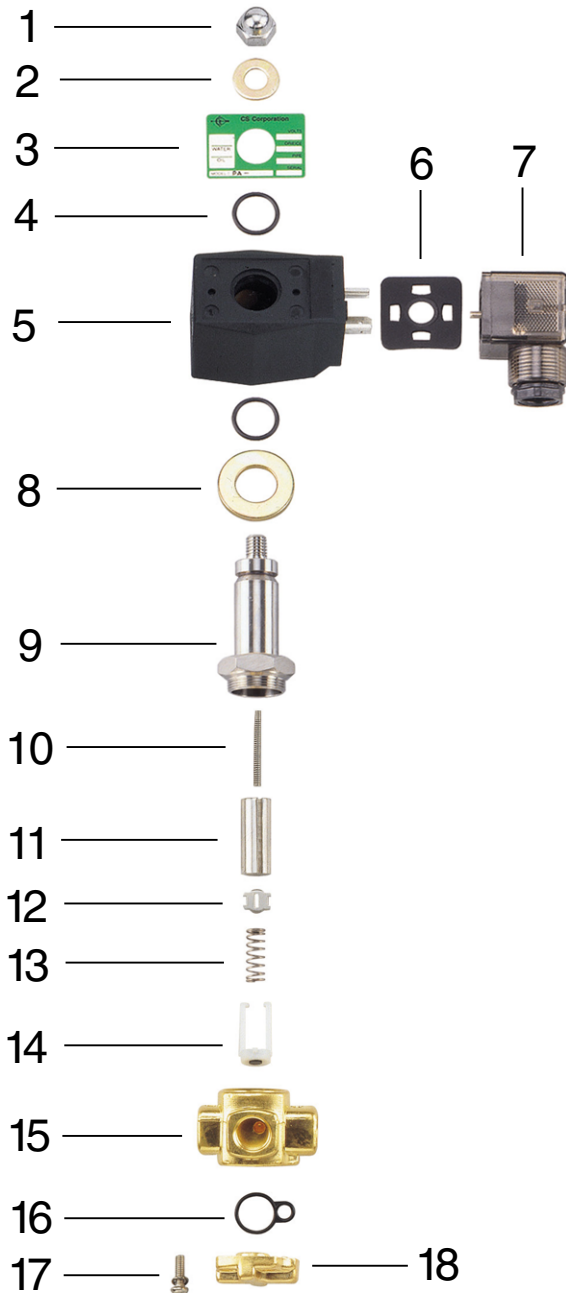




# Combination of CS solenoid valves

3/2-way, Direct-operated Type (Forged Brass)

VX series

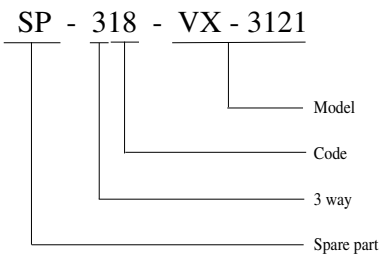


## ● Spare Parts Table

| Item | Order No. | Description             |
|------|-----------|-------------------------|
| 1    | SP-301- * | Nut                     |
| 2    | SP-302- * | Washer                  |
| 3    | SP-303- * | Nameplate               |
| 4    | SP-304- * | Oring (Coil)            |
| 5    | SP-305- * | Coil                    |
| 6    | SP-306- * | Gasket                  |
| 7    | SP-307- * | Connector (Transparent) |
| 8    | SP-308- * | Baseplate               |
| 9    | SP-309- * | Solenoid Tube           |
| 10   | SP-310- * | Spring                  |
| 11   | SP-311- * | Armature Core           |
| 12   | SP-312- * | Spring Fixed Base       |
| 13   | SP-313- * | Spring                  |
| 14   | SP-314- * | Fixed Bracket           |
| 15   | SP-315- * | Valve Body              |
| 16   | SP-316- * | Gasket(Bonnet)          |
| 17   | SP-317- * | Screw                   |
| 18   | SP-318- * | Valve Bonnet            |

\* Model Number

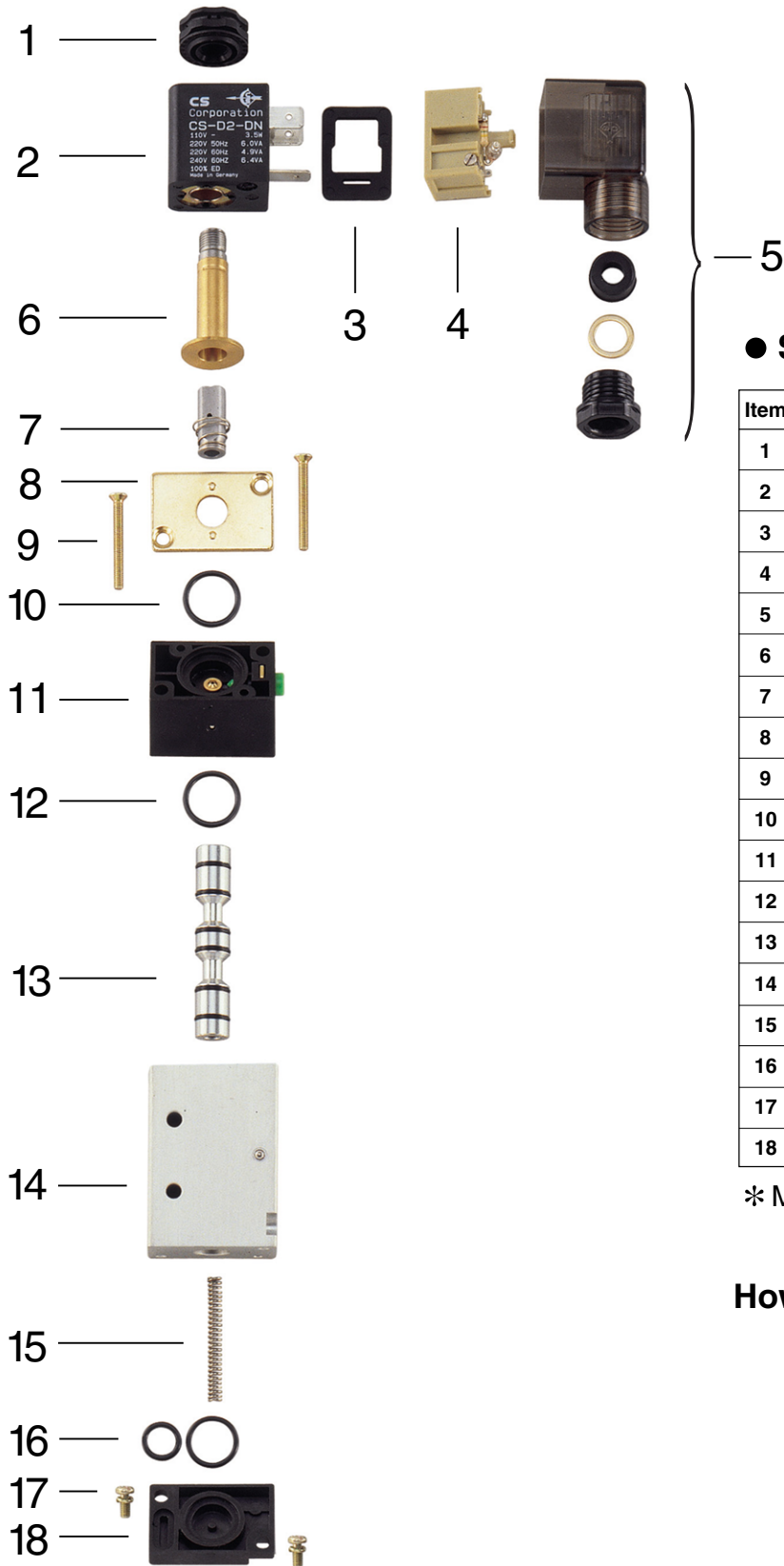
## How to order:



# Combination of CS solenoid valves

5/2-way, Pilot Type (Aluminum Alloy/Die-Cast Aluminum)

## CS series

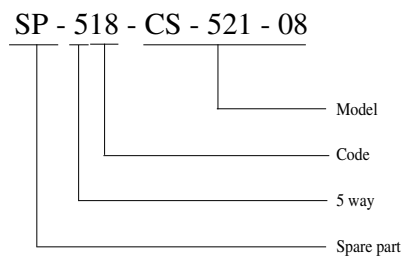


### ● Spare Parts Table

| Item | Order No. | Description          |
|------|-----------|----------------------|
| 1    | SP-501- * | Nut                  |
| 2    | SP-502- * | Coil (CS-D2-DN)      |
| 3    | SP-503- * | Gasket               |
| 4    | SP-504- * | Connector Base       |
| 5    | SP-505- * | Housing Assembly     |
| 6    | SP-506- * | Solenoid Tube        |
| 7    | SP-507- * | Armature Core        |
| 8    | SP-508- * | Fixed Cover          |
| 9    | SP-509- * | Screw                |
| 10   | SP-510- * | Oring (Pilot Kit)    |
| 11   | SP-511- * | Pilot Kit            |
| 12   | SP-512- * | Piston               |
| 13   | SP-513- * | Spool                |
| 14   | SP-514- * | Valve Body           |
| 15   | SP-515- * | Spring               |
| 16   | SP-516- * | Oring (Bottom Cover) |
| 17   | SP-517- * | Screw                |
| 18   | SP-518- * | Bottom Cover         |

\* Model Number

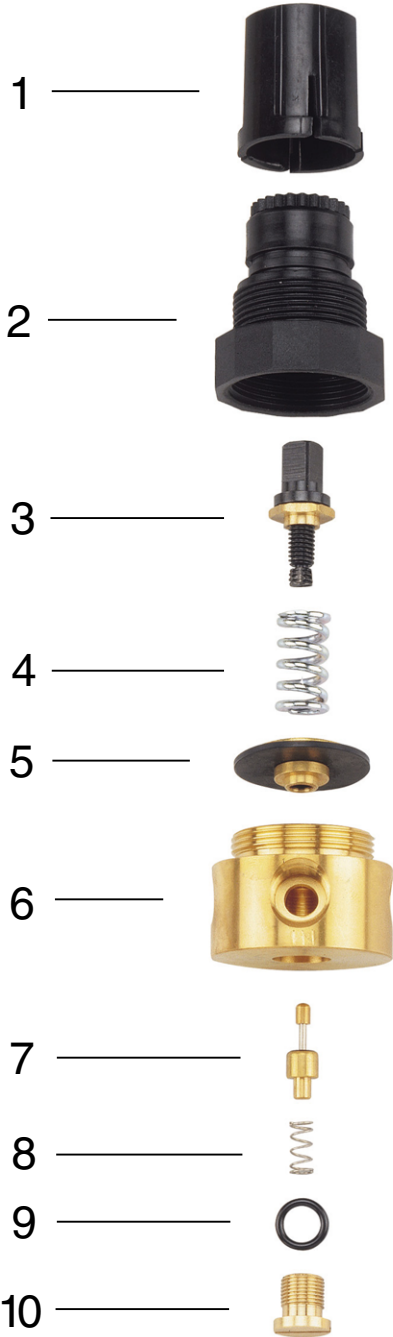
### How to order:



# Combination of CS pressure regulator

High-pressure & Low-pressure Type (Brass)

## CSR series



### ● Spare Parts Table

| Item | Order No. | Description   |
|------|-----------|---------------|
| 1    | SP-001- * | Adjusting Nut |
| 2    | SP-002- * | Fixed Nut     |
| 3    | SP-003- * | Fixed Screw   |
| 4    | SP-004- * | Spring        |
| 5    | SP-005- * | Diaphragm     |
| 6    | SP-006- * | Body          |
| 7    | SP-007- * | Sliding       |
| 8    | SP-008- * | Spring        |
| 9    | SP-009- * | Oring(Screw)  |
| 10   | SP-010- * | Screw         |

\* Model Number

### How to order:

