

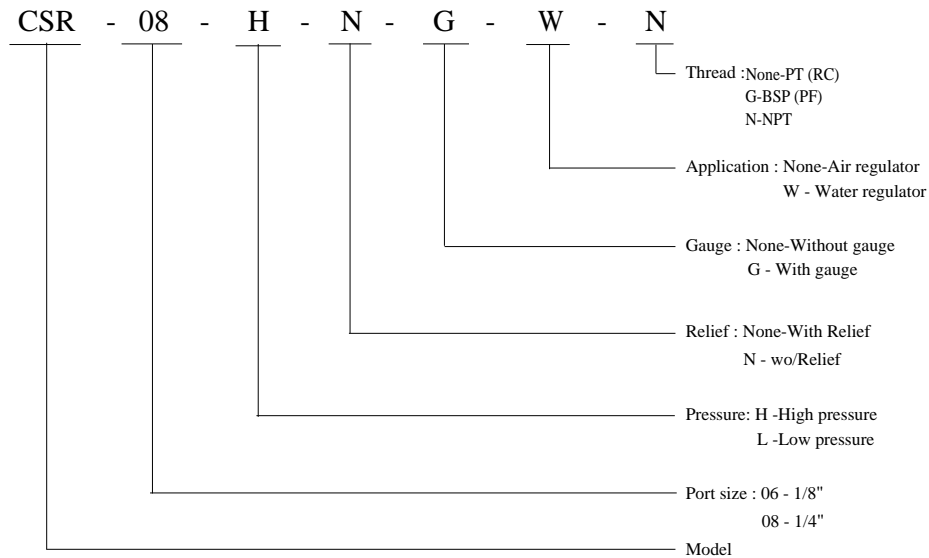


# Mini pressure regulator for air and water application

## High-Pressure & Low-Pressure Type

Model	Port size	Fluid temp (°C)	P2 Adjustment Range kg/cm <sup>2</sup> (bar)	Maximum Pressure kg/cm <sup>2</sup> (bar)	Wt. (kg)
CSR- 06-H	1/8 "	5	0.2-8.5	21	0.26
CSR- 08-H	1/4 "		0.2-8.5	21	0.26
CSR- 06-L	1/8 "	60	0.1-4	21	0.26
CSR- 08-L	1/4 "		0.1-4	21	0.26

## How to order



### Notes:

1. The body is made of brass, and the regulating knob is made of Nylon Fiber.
2. Pipes can be freely allocated at any angle.
3. H:P2 adjustment range for high pressure is 0.2~8.5 kgf/cm<sup>2</sup>(bar).
4. L:P2 adjustment range for low pressure is 0.1~4 kgf/cm<sup>2</sup>(bar).

### Features:

As a high-capacity pressure regulator, it features compactness, large flow, and is equipped with fixing lock.

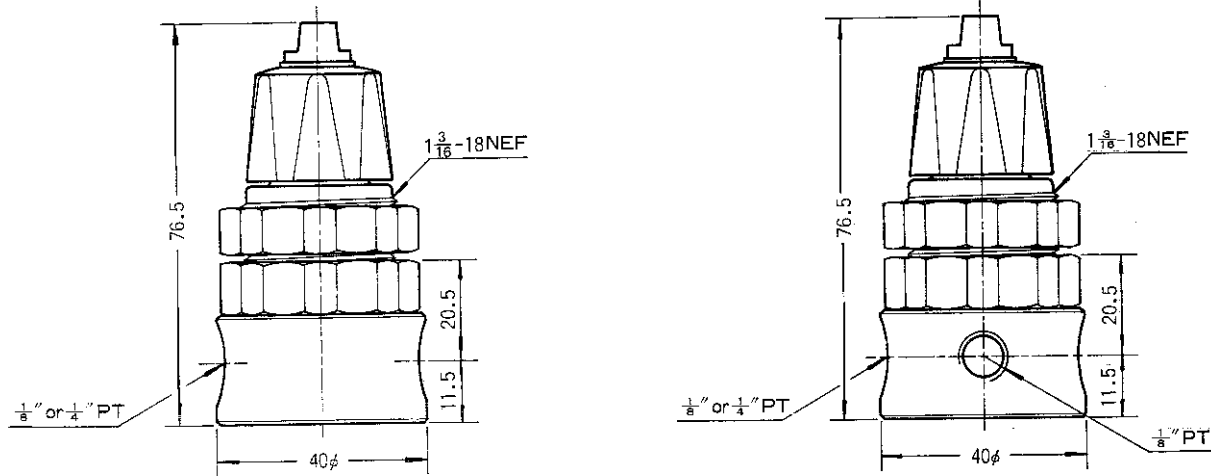
## ● Material Table

Item	Article	Materials
1	Adjusting Nut	Nylon Fiber
2	Fixing Nut	Nylon Fiber
3	Spring	Stainless Steel
4	Diaphragm	NBR
5	Valve Body	Brass



## ● Specification Chart

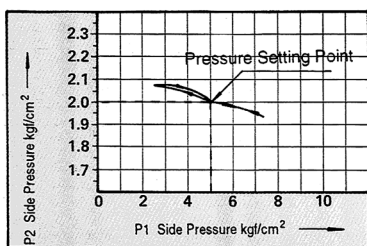
Unit:mm



## ● Flow Curve Chart

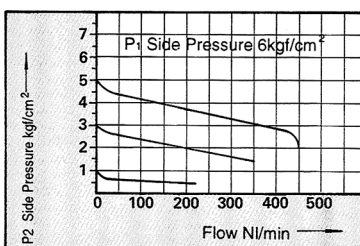
### ● With Relief Pressure

Pressure Features: Fluid: Air



### ● With Relief Pressure

Flow Features: Fluid: Air



### ● Without Relief Pressure

Flow Features: Fluid: Water

