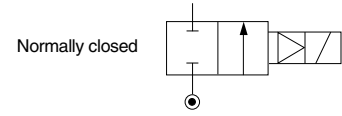


PV(S)

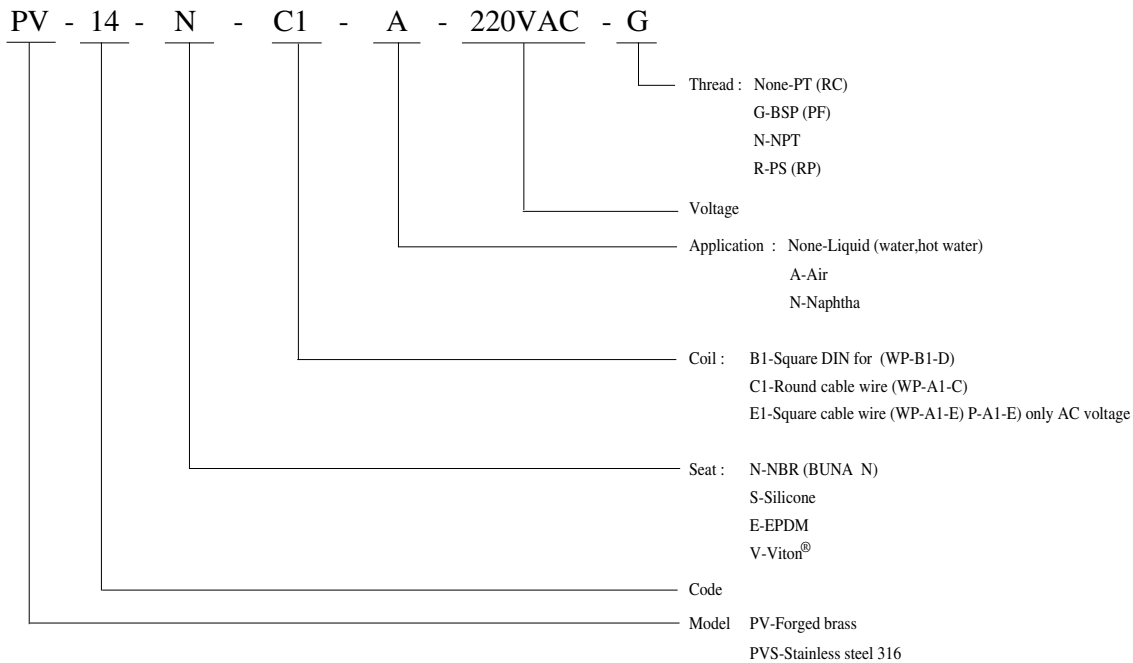
2/2-way solenoid valve of forged brass/ stainless steel 316 body for general application

Pilot Type



Model	Port size	Orifice (mm)	CV value	Fluid temp. (°C)	Seat disc	Differential pressure kg/cm ² (bar)				Wt. (kg)
						Liquid	Air	Naphtha (120°C)	Slight acid & alkali	
PV - 14	3/8 "	15	4.5	-10	NBR	0.5-10	0.5-10	0.5-10	-	0.85
PV - 15	1/2 "	15	4.5			0.5-10	0.5-10	0.5-10	-	0.88
PV - 20	3/4 "	20	9.3	f	Silicone	0.5-10	0.5-10	0.5-10	-	1.06
PVS - 14	3/8 "	15	4.5			0.5-10	0.5-10	0.5-10	0.5-10	0.85
PVS - 15	1/2 "	15	4.5	80 (120)	Viton®	0.5-10	0.5-10	0.5-10	0.5-10	0.88
PVS - 20	1/2 "	20	9.3			0.5-10	0.5-10	0.5-10	0.5-10	1.06

How to order



Notes:

- In order to prolong operating life, it is better to allocate pipe horizontally and coil to face upward.
- Voltage drop range is within ±10%.
- Pressure of voltage DC is 70% of voltage AC only.
- Combined diaphragm design assures no breaking.
- Max. temperature is up to 120°C.
- Selection of coil refer to page 136~139.

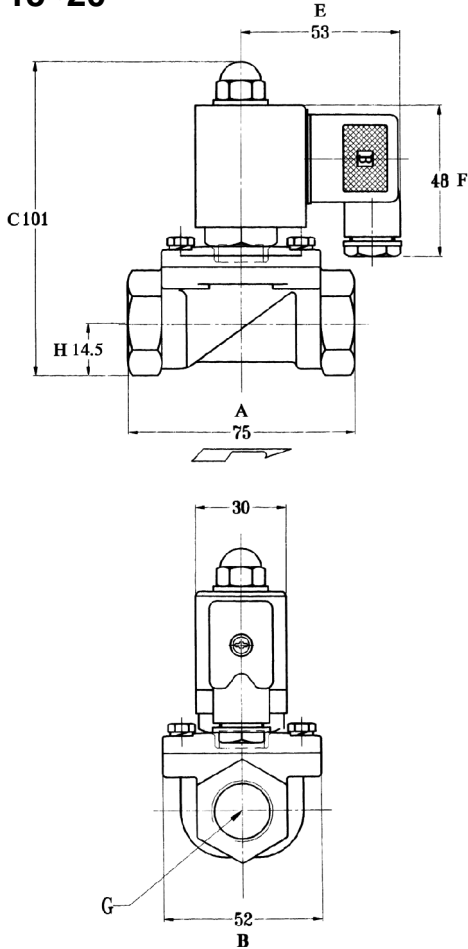
Inapplicable Fluids:

- Fluids that have kinematic viscosity over 50 CST.
- Fluids that will turn to liquid after being heated and become solid after being cooled.
- Corrosive fluids.

PV(S)

**2/2-way solenoid valve of forged brass/
stainless steel 316 body for general
application**

● **PV-14~20 Contour Specification Chart**
PVS-15~20

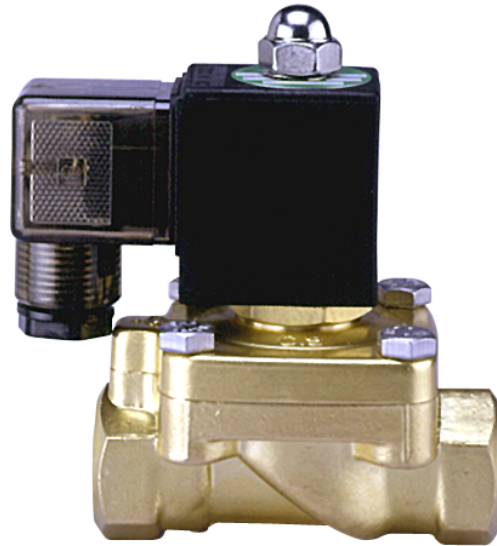


● **Specifications**

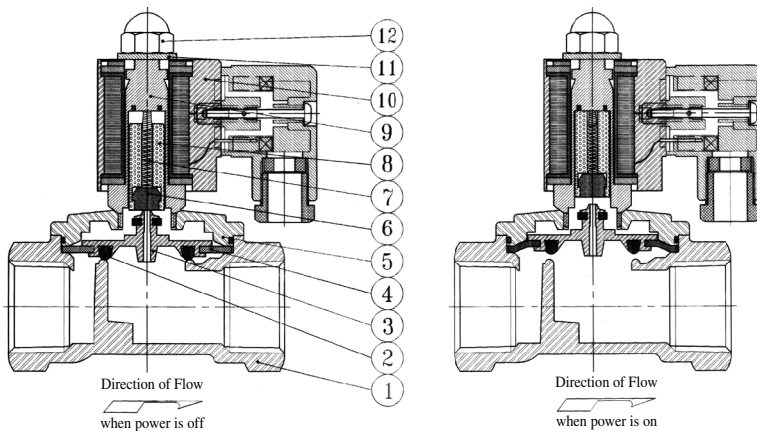
Unit:mm

Item Model	A	B	C	D	E	F	G	H
PV-(S)14	75	52	101	WP-B1-D:30	WP-B1-D*:53		3/8"	14.5
PV(S)-15	75	52	101	WP-A1-C:41.5	WP-A1-C:22	WP-B1-D*:48	1/2"	14.5
PV(S)-20	85	60	110	WP-A1-E:34.5	WP-A1-E:53		3/4"	18

* with connector



● **PV-14~20 Operation Chart**



● **Material Table**

Item	Article	Material
1	Valve Body	Forged Brass/Stainless Steel
2	Leakproof Ring	Synthetic Rubber
3	Diaphragm Base	Forged Brass/Stainless Steel
4	Diaphragm	NBR,Silicone, EPDM,Viton®
5	Valve Bonnet	Forged Brass/Stainless Steel
6	Seat	NBR,Silicone, EPDM,Viton®
7	Spring	Stainless Steel
8	Armature Core	Stainless Steel
9	Solenoid Tube	Stainless Steel
10	Coil	Brass Wire
11	Washer	S45C Zine
12	Retaining Cap	S45C Zine