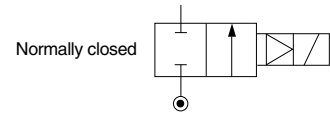


PA

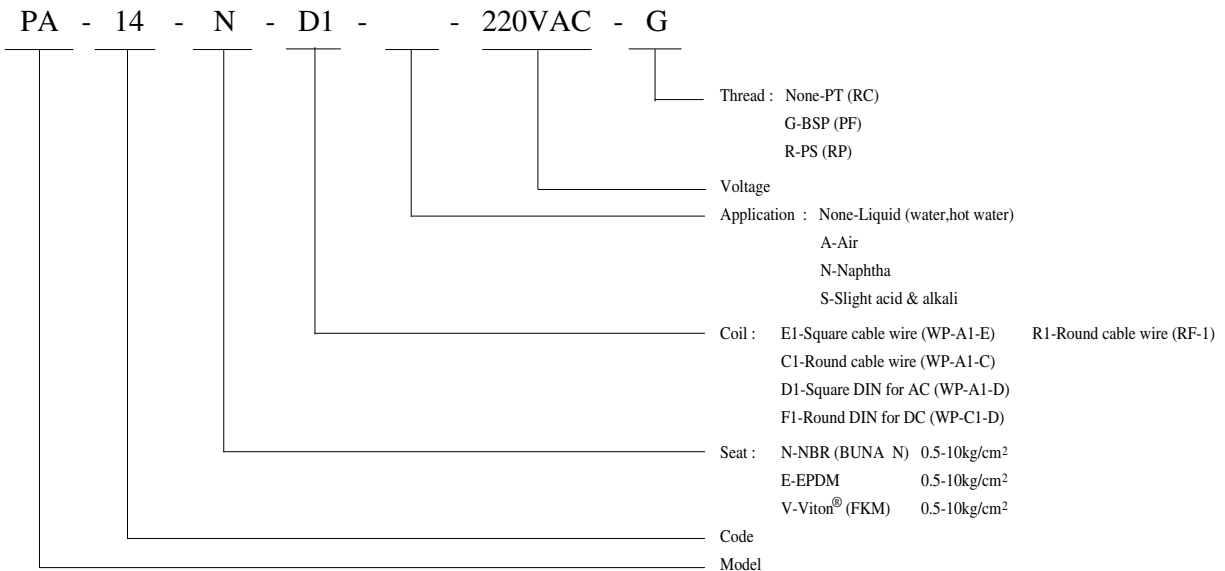
2/2-way solenoid valve of P.O.M. body for slight acid & alkali-resistant application

Pilot Type



Model	Port size	Orifice (mm)	CV value	Fluid temp. (°C)	Seat disc	Differential pressure kg/cm ² (bar)					Wt. (kg)
						Liquid	Air	Gas	Naphtha	Slight Acid&Alkali	
PA - 14	3/8 "	15	4.5	-10	NBR	0.5-10	0.5-10	--	0.5-10	0.5-10	0.32
PA - 15	1/2 "	15	4.5			0.5-10	0.5-10	--	0.5-10	0.5-10	0.32
PA - 20	3/4 "	20	9.3	∫	EPDM	0.5-10	0.5-10	--	0.5-10	0.5-10	0.6
PA - 25	1 "	25	13.2			0.5-10	0.5-10	--	0.5-10	0.5-10	0.65
PA - 35	1 1/4 "	35	26	80	Viton®	0.5-10	0.5-10	--	0.5-10	0.5-10	0.8
PA - 40	1 1/2 "	35	26			0.5-10	0.5-10	--	0.5-10	0.5-10	0.85

How to order



Notes:

- In order to prolong operating life, it is better to allocate pipe horizontally and coil to face upward.
- Voltage drop range is within ±10%.
- Pressure of voltage DC is 70% of voltage AC only.
- Min. pressure of 0.5 kg/cm² is required to activate.
- Max. temperature is up to 130°C.
- Selection of coil refer to page 136~139.
- Silver shading ring is custom-made.

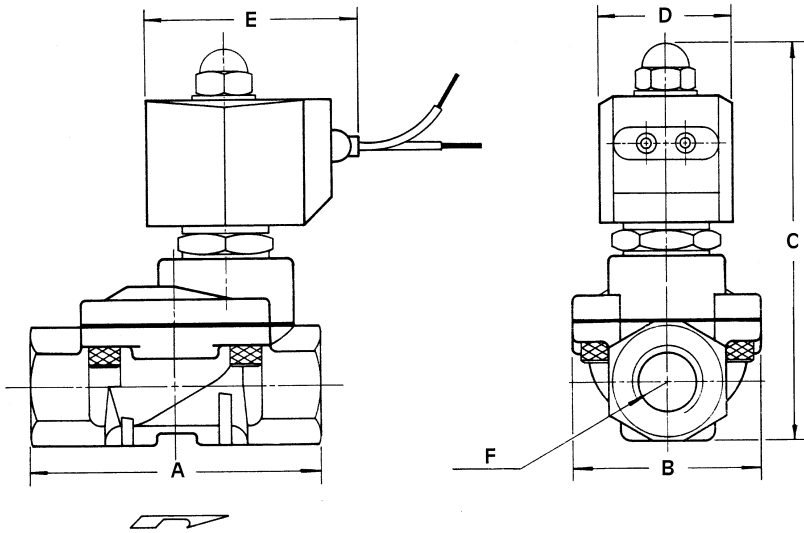
Inapplicable Fluids:

- Fluids that have kinematic viscosity over 50 CST.
- Fluids that will turn to liquid after being heated and become solid after being cooled.
- Strong corrosive fluids.

PA

2/2-way solenoid valve of P.O.M. body for slight acid & alkali-resistant application

● PA-14~20 Contour Specification Chart



● Specifications

Unit:mm

Item Model	A	B	C	D	E	F
PA-14	73.5	48	105	WP-A1-C:41.5	WP-A1-C:43	3/8"
PA-15	73.5	48	105	WP-A1-D:35	WP-A1-D:82.6*	1/2"
PA-20	104	90	124	WP-A1-E:35	WP-A1-E:58	3/4"
PA-25	104	90	124	WP-C1-D:44	WP-C1-D:85.6*	1"
PA-35	132	120	145	RF-1:41.5	RF-1:47	1 1/4"
PA-40	132	120	145			1 1/2"

* with connector



● PA-25~40 Contour Specification Chart

