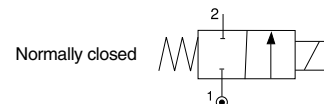


AD(S) 2/2-way solenoid valve of forged brass/ stainless steel 316 body for high-pressure application

Direct-acting and High pressure Type

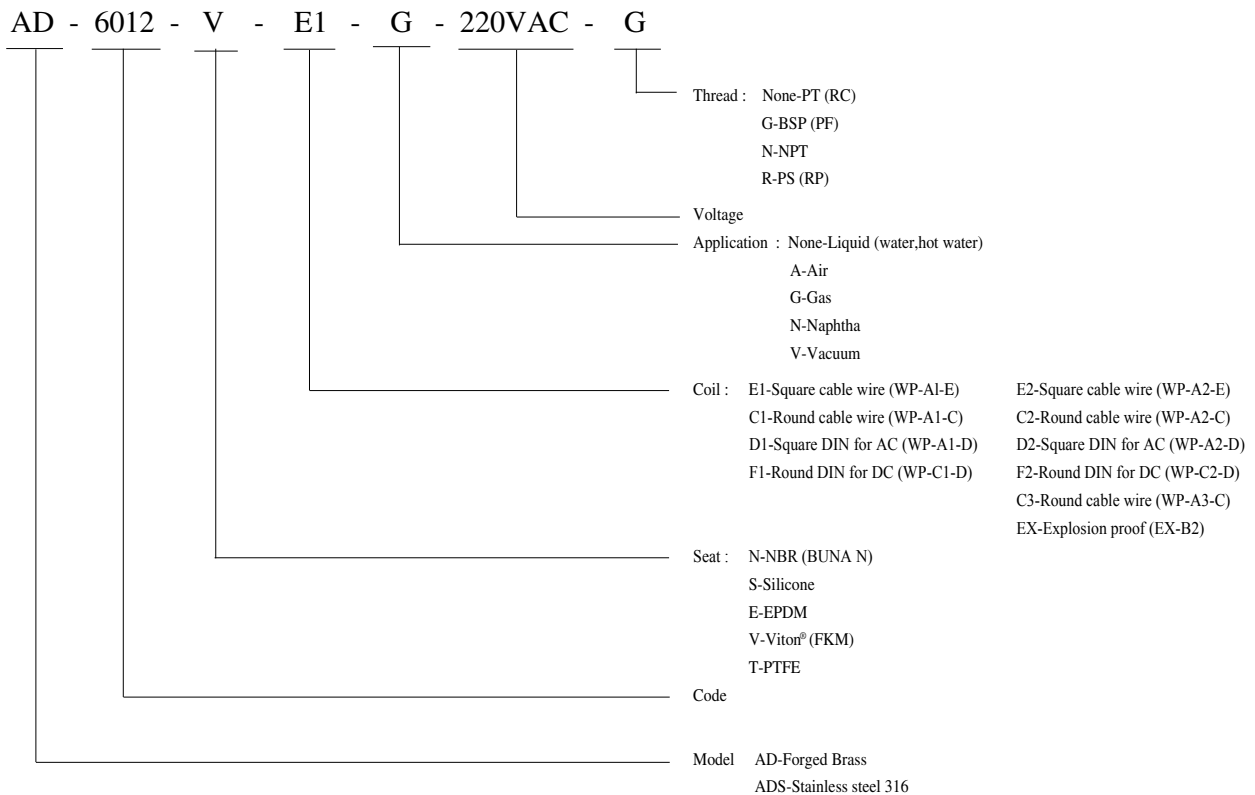


Model	Port size	Orifice (mm)	CV value	Fluid temp. (°C)	Seat disc	Differential pressure kg/cm ² (bar)					Wt. (kg)		
						Liquid	Air	Gas	Naphtha (120°C)	Vacuum			
AD - 6012	1/8 "	1.2	0.07	-10	NBR	0-60	0-60	0-60	0-50	0-10 ⁻⁶ torr	0.47		
AD - 6016	1/8 "	1.6	0.09			0-40	0-40	0-40	0-30	0-10 ⁻⁶ torr	0.47		
AD - 6020	1/8 "	2	0.11			0-20	0-20	0-20	0-15	0-10 ⁻⁶ torr	0.47		
AD - 6112	1/8 "	1.2	0.07			0-120	0-120	0-120	0-100	0-10 ⁻⁶ torr	0.66		
AD - 6116	1/8 "	1.6	0.09			0-60	0-60	0-60	0-50	0-10 ⁻⁶ torr	0.66		
AD - 6120	1/8 "	2	0.11			0-30	0-30	0-30	0-25	0-10 ⁻⁶ torr	0.66		
AD - 6130	1/8 "	3	0.26			0-20	0-20	0-20	0-15	0-10 ⁻⁶ torr	0.66		
AD - 6140	1/8 "	4	0.58			0-12	0-12	0-12	0-10	0-10 ⁻⁶ torr	0.66		
AD - 6150	1/8 "	5	0.64			0-10	0-10	0-10	0-8	0-10 ⁻⁶ torr	0.66		
AD - 6212	1/8 "	1.2	0.07			0-150	0-150	0-150	0-130	0-10 ⁻⁶ torr	0.66		
AD - 6216	1/8 "	1.6	0.09			0-80	0-80	0-80	0-70	0-10 ⁻⁶ torr	0.66		
AD - 6220	1/8 "	2	0.11			0-60	0-60	0-60	0-50	0-10 ⁻⁶ torr	0.66		
AD - 6230	1/8 "	3	0.26			0-40	0-40	0-40	0-30	0-10 ⁻⁶ torr	0.66		
AD - 6240	1/8 "	4	0.58			0-20	0-20	0-20	0-15	0-10 ⁻⁶ torr	0.66		
AD - 6250	1/8 "	5	0.64			0-15	0-15	0-15	0-12	0-10 ⁻⁶ torr	0.66		
AD(S)- 8012	1/4 "	1.2	0.07			80 (120)	PTFE	0-60	0-60	0-60	0-50	0-10 ⁻⁶ torr	0.47
AD(S)- 8016	1/4 "	1.6	0.09					0-40	0-40	0-40	0-30	0-10 ⁻⁶ torr	0.47
AD(S)- 8020	1/4 "	2	0.11					0-20	0-20	0-20	0-15	0-10 ⁻⁶ torr	0.47
AD(S)- 8112	1/4 "	1.2	0.07	0-120	0-120			0-120	0-100	0-10 ⁻⁶ torr	0.66		
AD(S)- 8116	1/4 "	1.6	0.09	0-60	0-60			0-60	0-50	0-10 ⁻⁶ torr	0.66		
AD(S)- 8120	1/4 "	2	0.11	0-30	0-30			0-30	0-25	0-10 ⁻⁶ torr	0.66		
AD(S)- 8130	1/4 "	3	0.26	0-20	0-20			0-20	0-15	0-10 ⁻⁶ torr	0.66		
AD(S)- 8140	1/4 "	4	0.58	0-12	0-12			0-12	0-10	0-10 ⁻⁶ torr	0.66		
AD(S)- 8150	1/4 "	5	0.64	0-10	0-10			0-10	0-8	0-10 ⁻⁶ torr	0.66		
AD(S)- 8212	1/4 "	1.2	0.07	0-150	0-150			0-150	0-130	0-10 ⁻⁶ torr	0.66		
AD(S)- 8216	1/4 "	1.6	0.09	0-80	0-80			0-80	0-70	0-10 ⁻⁶ torr	0.66		
AD(S)- 8220	1/4 "	2	0.11	0-60	0-60			0-60	0-50	0-10 ⁻⁶ torr	0.66		
AD(S)- 8230	1/4 "	3	0.26	0-40	0-40			0-40	0-30	0-10 ⁻⁶ torr	0.66		
AD(S)- 8240	1/4 "	4	0.58	0-20	0-20			0-20	0-15	0-10 ⁻⁶ torr	0.66		
AD(S)- 8250	1/4 "	5	0.64	0-15	0-15			0-15	0-12	0-10 ⁻⁶ torr	0.66		

AD(S)

2/2-way solenoid valve of forged brass/ stainless steel 316 body for high-pressure application

How to order



Notes:

1. Direct-acting valves are ideally suited to allocate at any angle.
2. Voltage drop range is within $\pm 10\%$.
3. Pressure of voltage DC is 70% of voltage AC only.
4. Max. temperature is up to 120°C.
5. Selection of coil refer to page 136~139.
6. AD-62** & AD-82**, ADS-82** are custom-made.
Coil: WP-A3-C.

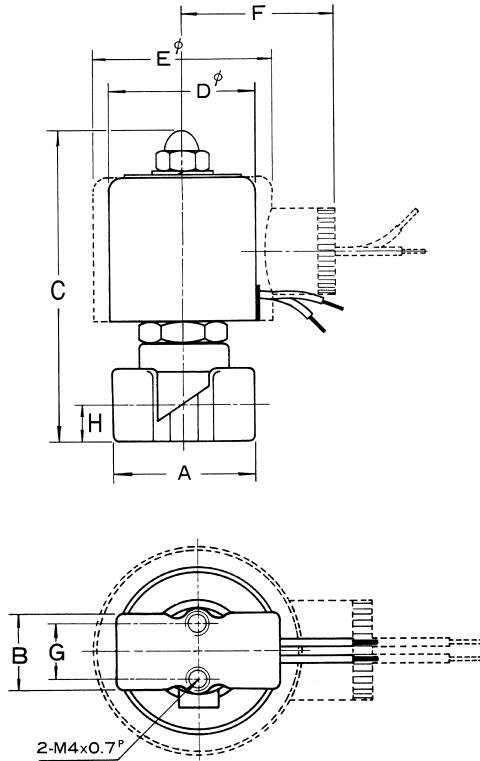
Inapplicable Fluids:

1. Fluids that have kinematic viscosity over 50 CST.
2. Fluids that will turn to liquid after being heated and become solid after being cooled.
3. Corrosive fluids.

AD(S)

2/2-way solenoid valve of forged brass/ stainless steel 316 body for high-pressure application

● AD-6012~8250 Contour Specification Chart ADS-8012~8250

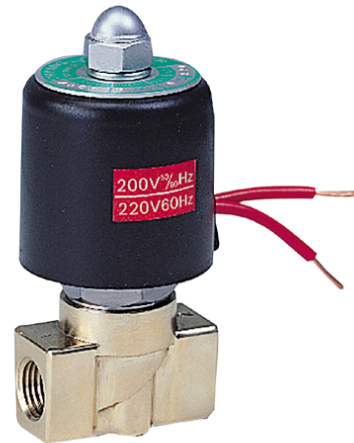


● Specifications

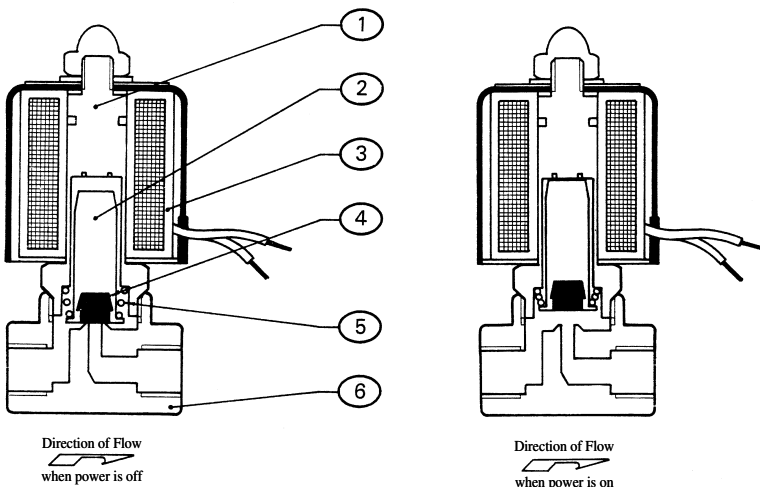
Unit:mm

Item Model	A	B	C	D	E	F	G	H	Coil Model
AD-6012~8020 ADS-8012~8020	41	19	89	41.5	--	22	15	10.5	WP-A1-C
	41	19	85	53	--	63	15	10.5	WP-A1-D *
	41	19	85	58	--	38	15	10.5	WP-A1-E
	41	19	86	56	--	64	15	10.5	WP-C1-D *
AD-6112~8120 ADS-8112~8120	41	19	94	--	53	47	15	10.5	WP-A2-C
	41	19	88	--	58	65	15	10.5	WP-A2-D *
	41	19	88	--	63	40	15	10.5	WP-A2-E
	41	19	88	--	68	70	15	10.5	WP-C2-D *
AD-6212~8220 ADS-6212~8220	41	19	94	--	53	47	15	10.5	WP-A3-C
	41	19	94	--	53	47	15	10.5	WP-A3-C

*with connector



● AD-6012~8250 Operation Chart ADS-8012~8250

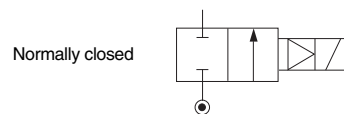


● Material Table

Item	Article	Material
1	Solenoid Tube	Stainless Steel
2	Armature Core	Stainless Steel
3	Coil	Brass Wire
4	Seat	NBR, Silicone, EPDM, Viton®
5	Spring	Stainless Steel
6	Valve Body	Forged Brass / Steel 316

PH-2D 2/2-way solenoid valve of forged brass body for high-pressure application

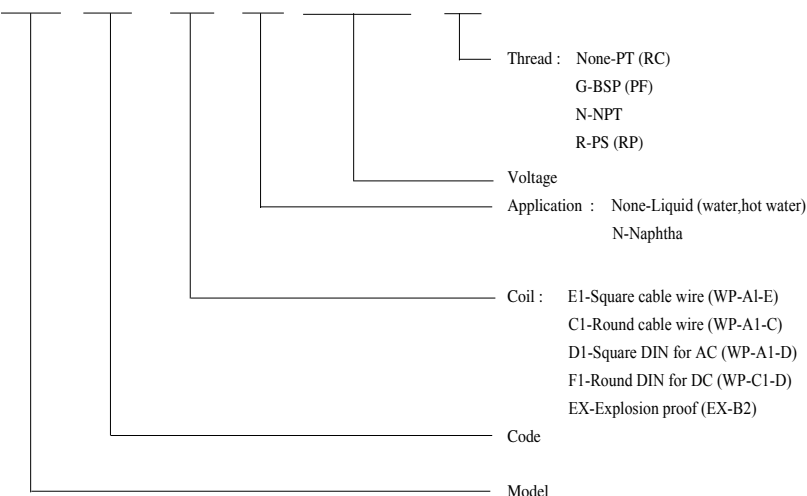
Pilot High Pressure Type



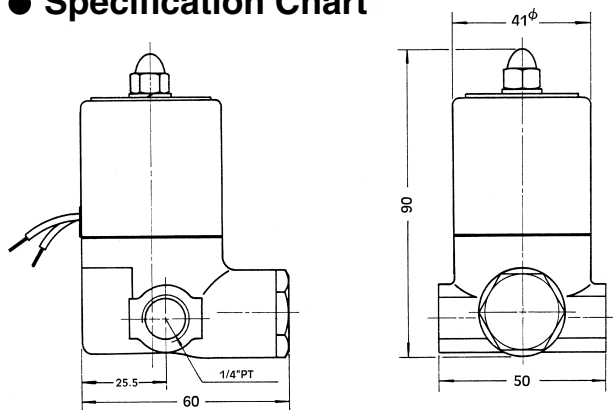
Model	Port size	Orifice (mm)	CV value	Fluid temp. (°C)	Seat disc	Differential pressure kg/cm ² (bar)		Wt. (kg)
						Liquid	Naphtha	
PH - 2D	1/4 °TM	6.3	0.81	-10~120	PTFE	1-30	1-30	0.55

How to order

PH - 2D - E1 - N - 220VAC - G



● Specification Chart



Notes:

1. In order to prolong operating life, it is better to allocate pipe horizontally and face coil upward.
2. Voltage drop range is within $\pm 10\%$.
3. Pressure for voltage DC is 70% of voltage AC only.
4. Plunger seat for piston is made of Teflon[®] which is suitable for high pressure application.
5. Selection of coil refer to page 136~139.

Inapplicable Fluids:

1. Fluids that have kinematic viscosity over 50 CST.
2. Fluids that will turn to liquid after being heated and become solid after being cooled.
3. Corrosive fluids.