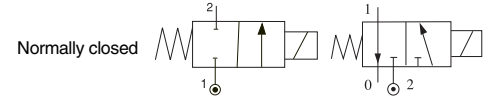




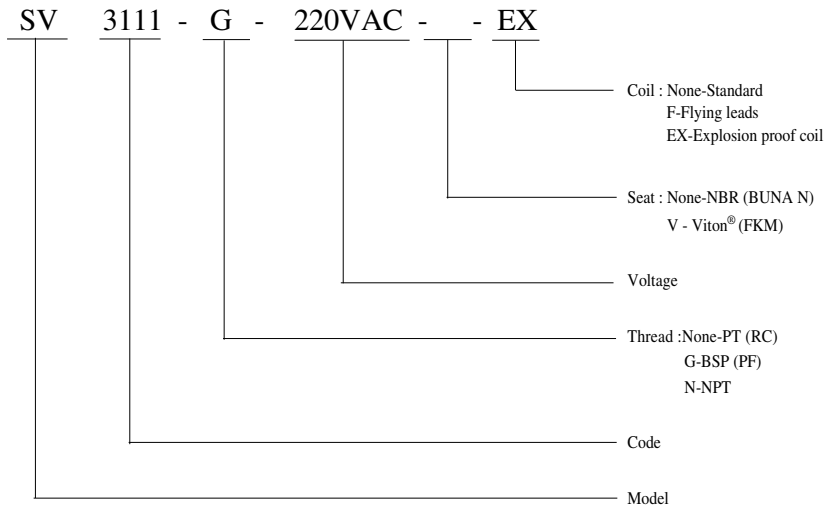
2/2 & 3/2-way solenoid valve of forged brass body for general application

Direct-Operated Type



Model	Port size	Orifice (mm)	CV value	Fluid temp. (°C)	Seat disc	Differential pressure kg/cm ² (bar)			Wt. (kg)
						Liquid	Air	Naphtha	
SV - 3111	1/8 "	1.1	0.06	-10	NBR	0-10	0-10	0-10	0.20
SV - 3115	1/8 "	1.5	0.08			0-7	0-7	0-7	0.20
SV - 2108	1/8 "	0.8	0.04			0-50	0-50	0-50	0.22
SV - 2111	1/8 "	1.1	0.06	80	Viton®	0-30	0-30	0-30	0.22
SV - 2115	1/8 "	1.5	0.08			0-10	0-10	0-10	0.22
SV - 2120	1/8 "	2	0.11			0-7	0-7	0-7	0.22

How to order

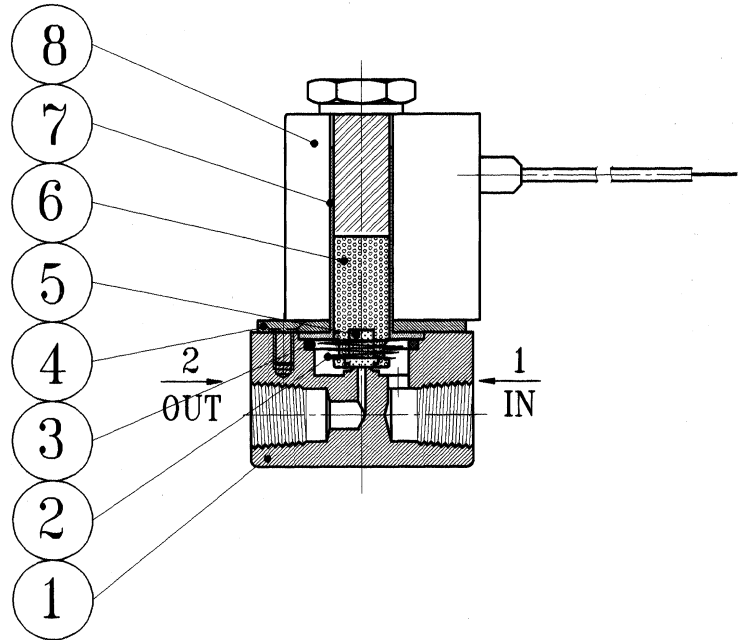


Notes:

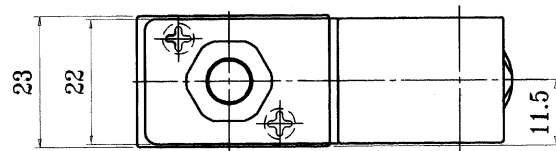
1. Voltage drop range is within $\pm 10\%$.
2. Installation position: free.
3. Cylinder range: $\varnothing 20\sim 80\varnothing$ mm.
4. Response: 15~20ms.
5. Standard Coil is DIN 43650B with LED connector.
6. No manual override.
7. Viton® seat is custom-made.
8. SV-3111 & SV-3115 are 3/2-way.

● Materials Table

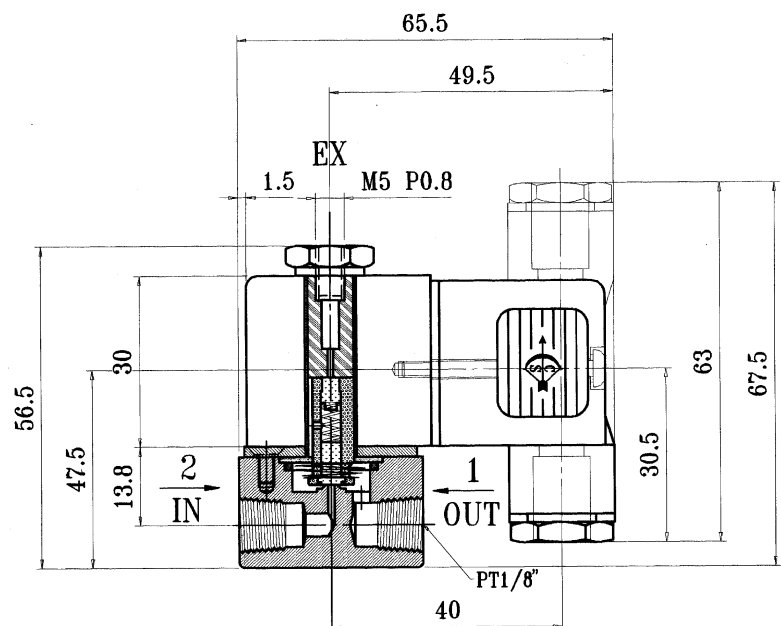
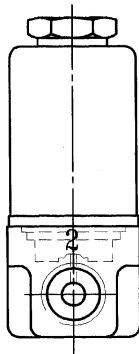
Item	Article	Material
1	Valve Body	Forged Brass
2	Spring	Stainless Steel
3	O-ring	NBR
4	Fixing Plate	Steel With Zinc Plated
5	Seat	NBR
6	Armature Core	Stainless Steel
7	Solenoid Tube	SUS+Copper
8	Coil	Brass Wire



Unit:mm



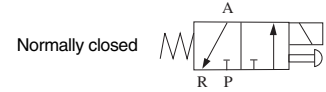
● Specification Chart





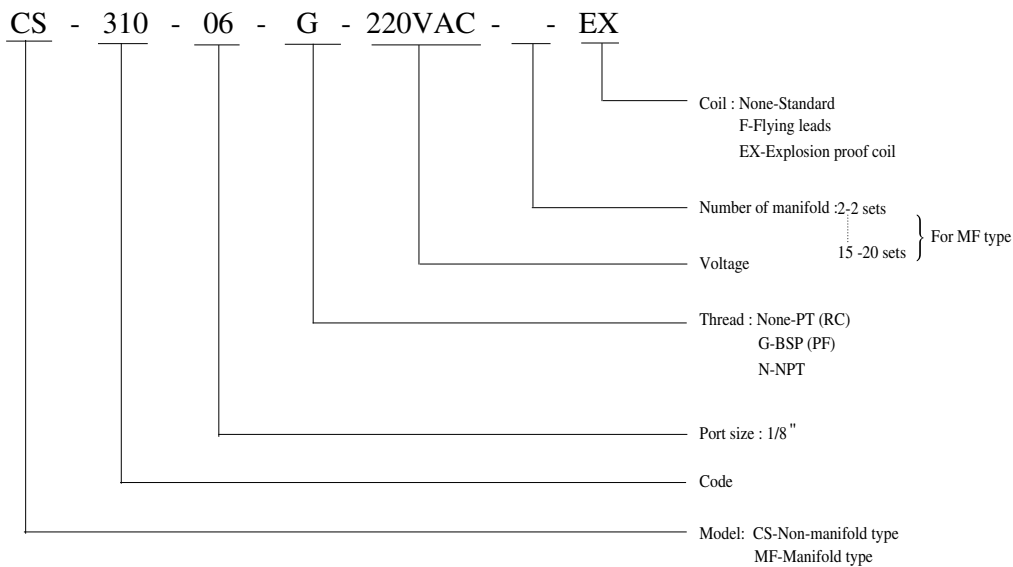
3/2-way solenoid valve of aluminum alloy body for pipe connection

Direct-Operated Type



Model	Port size	Effective Area (mm ²)	CV value	Fluid temp. (°C)	Seat disc	Differential pressure	Wt. (kg)
						kg/cm ² (bar)	
CS-310-06	1/8 "	1.2	0.07	-10 ~ 60	NBR, Viton®	Air	0.17
						0~7	

How to order

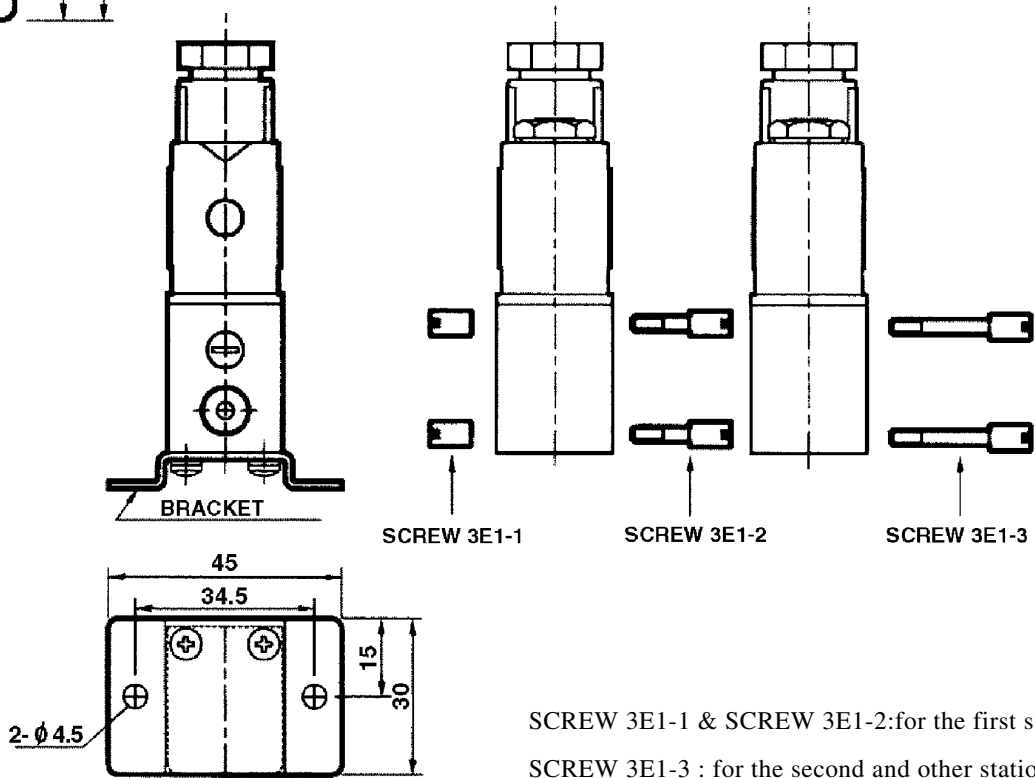
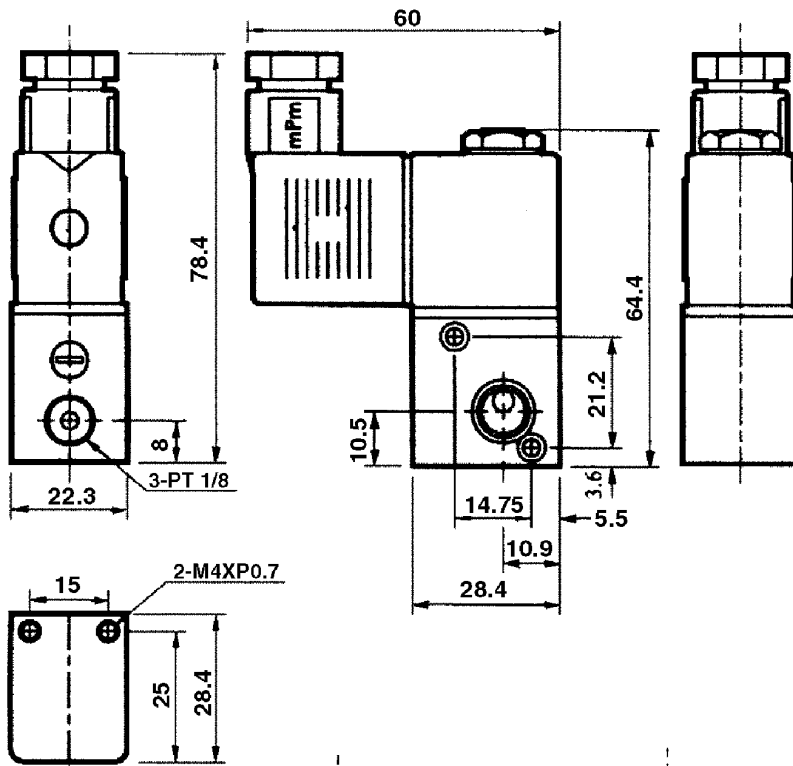


Notes:

1. Voltage drop rang is within $\pm 10\%$.
2. Installation position: free.
3. Cylinder range: $\varnothing 20 \sim \varnothing 80 \text{mm}$.
4. Response: 0.05 sec.
5. Standard coil is DIN 43650B with LED connector.
6. Manual override: Push and lock.
7. Viton® seat is custom-made.

● Specifications Chart

Unit:mm



SCREW 3E1-1 & SCREW 3E1-2:for the first station

SCREW 3E1-3 : for the second and other station

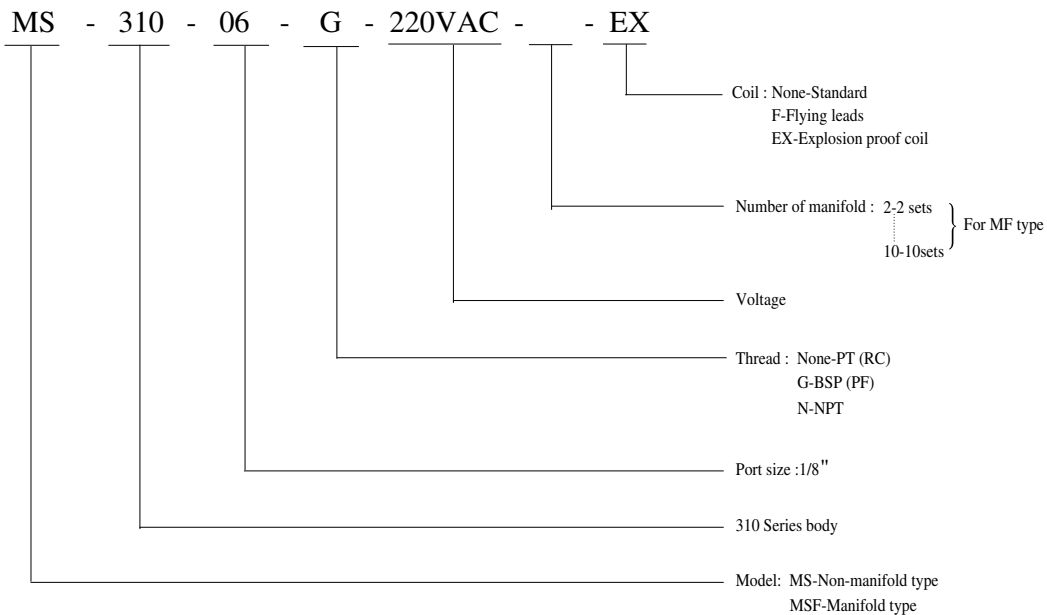
MSF 3/2-way solenoid valve of aluminum alloy body for pipe connection

Direct-Operated Type



Model	Port size	Effective Area (mm ²)	CV value	Fluid temp. (°C)	Seat disc	Differential pressure kg/cm ² (bar)		Wt. (kg)
						Air		
MSF-310-06	1/8 "	1.2	0.07	-10 ~ 80	NBR	0~7		0.16

How to order



● Specifications Chart

Notes:

1. Voltage drop rang is within $\pm 10\%$.
2. Installation position: free.
3. Cylinder range: $\phi 20 \sim \phi 80$ mm.
4. Response: 0.05 sec.
5. Standard coil is DIN 43650B with LED connector.
6. Manual override: Push and lock.

