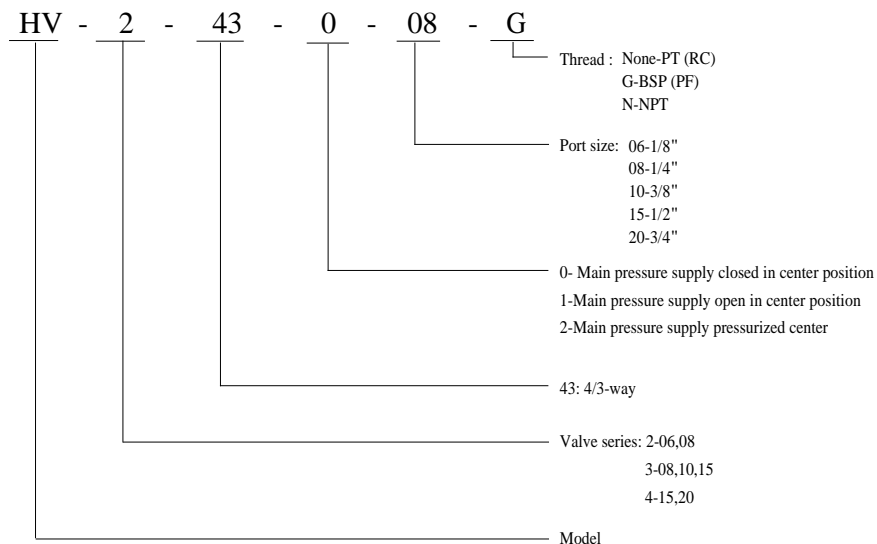




4/3-way hand valve of die cast body for air application

Model	Port size	Effective Area (mm ²)	CV value	Fluid temp. (°C)	Seat disc	pressure kg/cm ² (bar)	Wt. (kg)	
						Air		
HV-2430-06	1/8 "	7.5	0.42	-10	NBR	0~10	0.30	
HV-2431-06	1/8 "	7.5	0.42			0~10	0.30	
HV-2432-06	1/8 "	7.5	0.42			0~10	0.30	
HV-2430-08	1/4 "	7.5	0.42			0~10	0.30	
HV-2431-08	1/4 "	7.5	0.42			0~10	0.30	
HV-2432-08	1/4 "	7.5	0.42			0~10	0.30	
HV-3430-08	1/4 "	17	0.95			0~10	0.44	
HV-3431-08	1/4 "	17	0.95			0~10	0.44	
HV-3432-08	1/4 "	17	0.95			0~10	0.44	
HV-3430-10	3/8 "	17	0.95			}	0~10	0.44
HV-3431-10	3/8 "	17	0.95				0~10	0.44
HV-3432-10	3/8 "	17	0.95				0~10	0.44
HV-3430-15	1/2 "	17	0.95			60	0~10	0.44
HV-3431-15	1/2 "	17	0.95				0~10	0.44
HV-3432-15	1/2 "	17	0.95				0~10	0.44
HV-4430-15	1/2 "	49	2.74	0~10	1.13			
HV-4431-15	1/2 "	49	2.74	0~10	1.13			
HV-4432-15	1/2 "	49	2.74	0~10	1.13			
HV-4430-20	3/4 "	49	2.74	0~10	1.13			
HV-4431-20	3/4 "	49	2.74	0~10	1.13			
HV-4432-20	3/4 "	49	2.74	0~10	1.13			

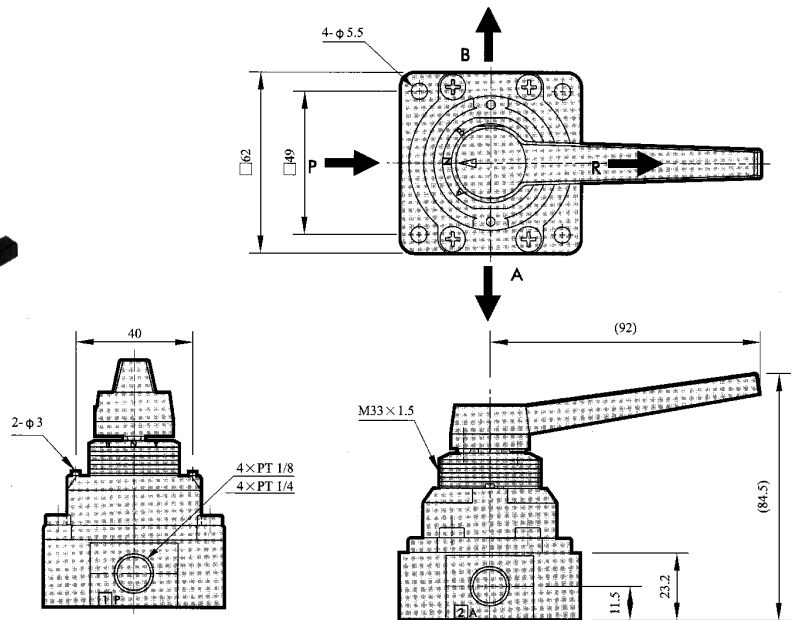
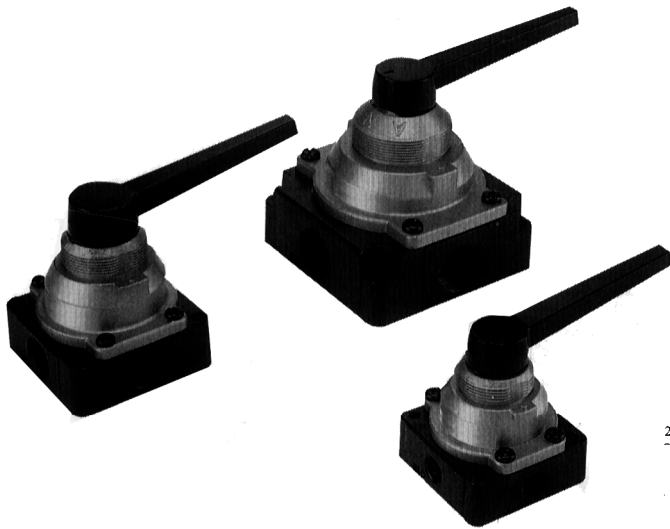
How to order



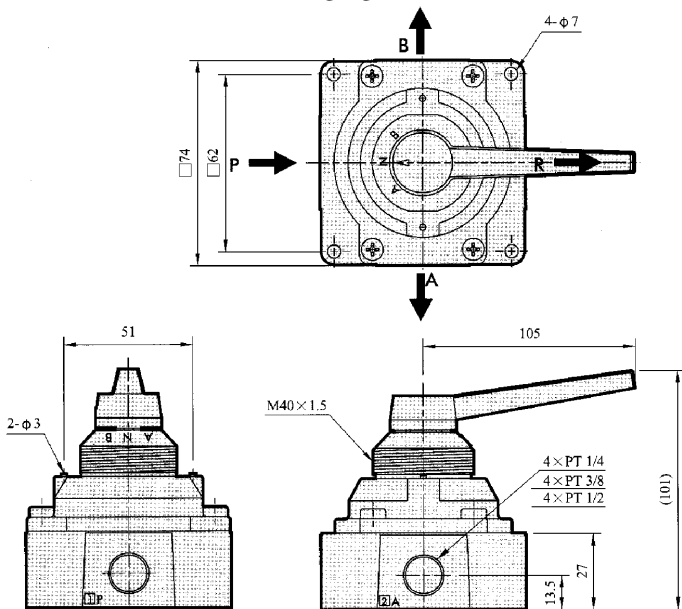
HV SERIES

● HAND VALVES

● HV-243



● HV-343



● HV-443

