

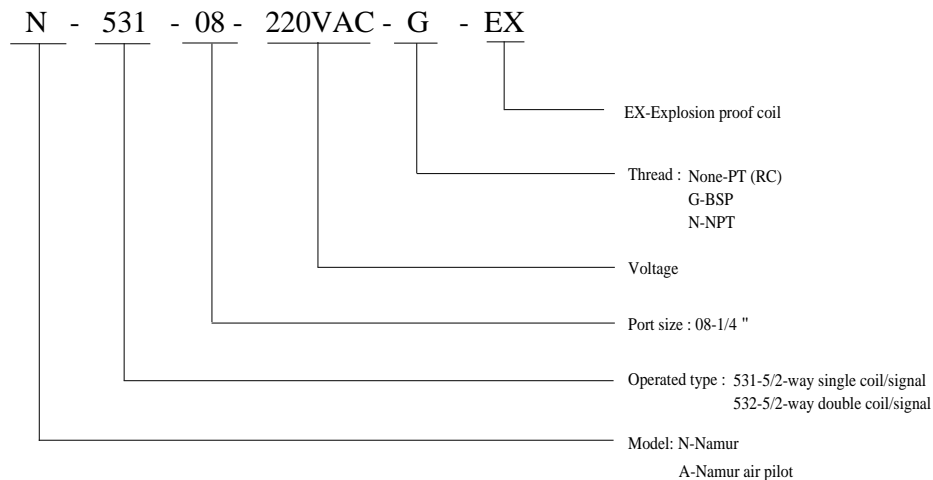
# NAMUR

## 5/2-way NAMUR interface solenoid valve & air pilot valve of aluminum for air application

### Single & Double Coil Single-signal & Double-signal

Model	Port size	Effective Area (mm <sup>2</sup> )	CV value	Fluid temp. (°C)	Seat disc	pressure kg/cm <sup>2</sup> (bar)	Wt. (kg)
						Air	
N-531-08	1/4 "	30	1.68	-10	NBR	1.5~9.9	0.33
N-532-08	1/4 "	30	1.68	}		1.5~9.9	0.42
A-531-08	1/4 "	30	1.68			60	1.5~9.9
A-532-08	1/4 "	30	1.68			1.5~9.9	0.35

### How to order



### Notes:

1. Voltage drop rang is within  $\pm 10\%$ .
2. Installation position : free.
3. Response : 0.05 sec.
4. Standard coil is DIN 43650B with LED connector.
5. Manual override : Push and lock.

