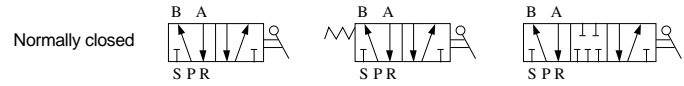


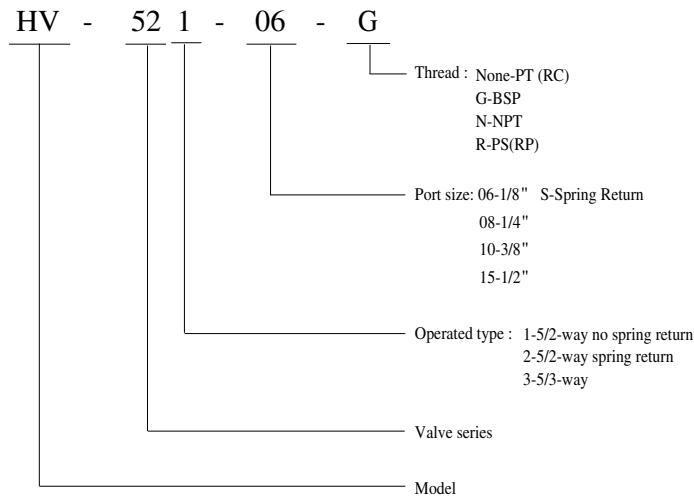


5/2 & 5/3-way manual valve of aluminum alloy body for air application



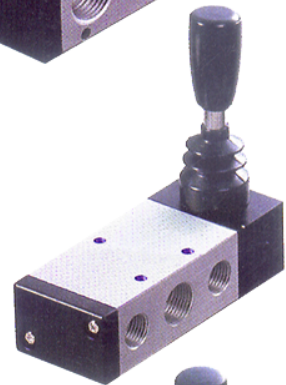
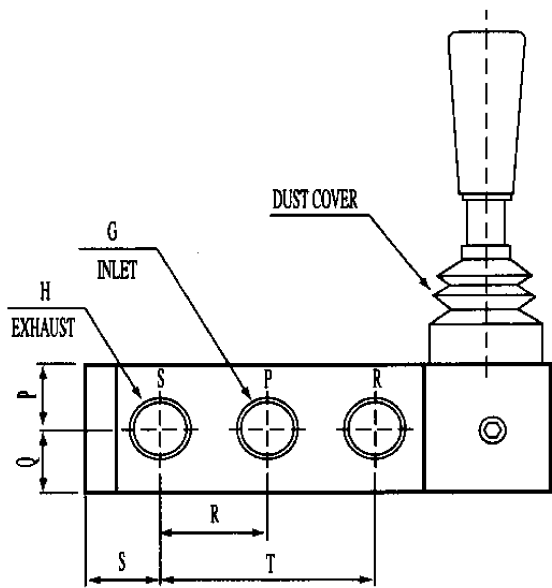
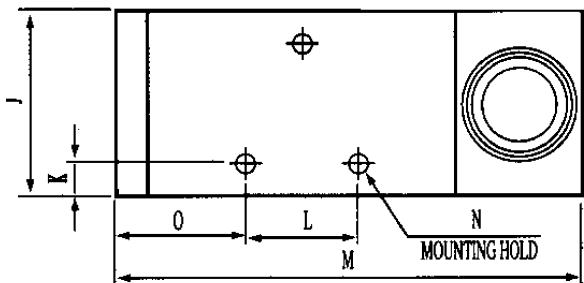
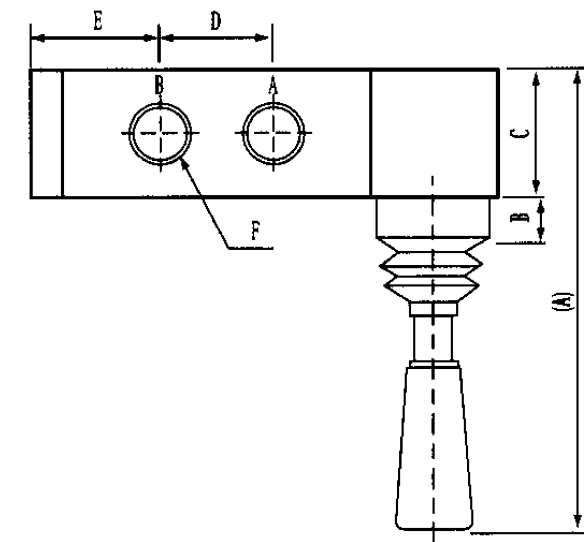
| Model | Port size | Effective Area (mm ²) | CV value | Fluid temp. (°C) | Seat disc | pressure kg/cm ² (bar) | | Wt. (kg) |
|------------|-----------|-----------------------------------|----------|------------------|-----------|-----------------------------------|---------|----------|
| | | | | | | Air | | |
| HV-521-06 | 1/8 " | 16 | 0.89 | -10 | NBR | 1.5~9.9 | | 0.35 |
| HV-521-06S | 1/8 " | 16 | 0.89 | | | 1.5~9.9 | | 0.35 |
| HV-523-06 | 1/8 " | 12 | 0.67 | | | 1.5~9.9 | | 0.45 |
| HV-531-08 | 1/4 " | 36 | 2 | | | 1.5~9.9 | | 0.35 |
| HV-531-08S | 1/4 " | 36 | 2 | | | 1.5~9.9 | | 0.35 |
| HV-533-08 | 1/4 " | 32 | 1.79 | | | 1.5~9.9 | | 0.45 |
| HV-531-10 | 3/8 " | 36 | 2 | | | 1.5~9.9 | | 0.35 |
| HV-531-10S | 3/8 " | 36 | 2 | | | 1.5~9.9 | | 0.40 |
| HV-531-10 | 3/8 " | 32 | 1.79 | | | 1.5~9.9 | | 0.35 |
| HV-541-15 | 1/2 " | 50 | 2.8 | | | 60 | 1.5~9.9 | |
| HV-541-15S | 1/2 " | 50 | 2.8 | 1.5~9.9 | | | 0.6 | |
| HV-543-15 | 1/2 " | 30 | 1.68 | 1.5~9.9 | | | 0.8 | |

How to order



Notes:

1. Fluid: Air.
2. Installation position: free.



● Specifications

Unit:mm

| Model | Item | A | B | C | D | E | F | G | H | J | K | L | M | N | O | P | Q | R | S | T |
|-----------|-------|----|----|----|------|-------|-------|-------|----|-----|----|-----|------|------|------|------|------|----|----|---|
| HV-521-06 | (94) | 10 | 22 | 21 | 21.5 | G1/8" | G1/8" | G1/8" | 35 | 7 | 20 | 84 | ø4.3 | 22 | 11 | 11 | 18 | 14 | 36 | |
| HV-531-08 | (99) | 10 | 27 | 24 | 28 | G1/4" | G1/4" | G1/4" | 40 | 7 | 24 | 99 | ø4.3 | 27.5 | 13.5 | 13.5 | 23 | 17 | 46 | |
| HV-531-10 | (99) | 10 | 27 | 24 | 28 | G3/8" | G3/8" | G1/4" | 40 | 7 | 24 | 99 | ø4.3 | 27.5 | 13.5 | 13.5 | 23 | 17 | 46 | |
| HV-541-15 | (101) | 10 | 34 | 36 | 37 | G1/2" | G1/2" | G1/2" | 50 | 7.5 | 28 | 136 | ø5.5 | 41.5 | 17 | 17 | 31.5 | 24 | 63 | |