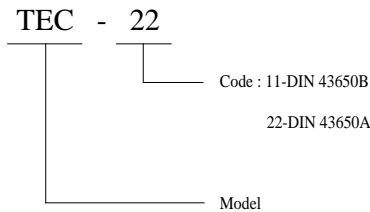


TEC

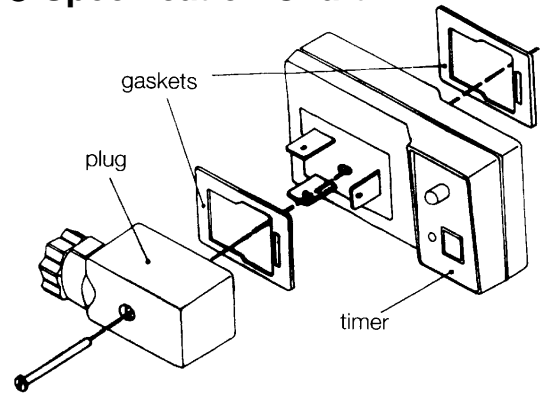
THE TEC-11 & TEC-22 offers a state of the art electronic timer coupled to a solenoid valve for compressed air & liquid systems

Model	Interval Time T2	Discharge Time T1	Connection	Indicators
TEC-11	1-120 Minutes	2 Seconds	DIN 43650B ISO 6952	LED (Yellow)
TEC-22	0.5-45 Minutes	0.5-10 Seconds	DIN 43650A ISO 4400	LED (Yellow)

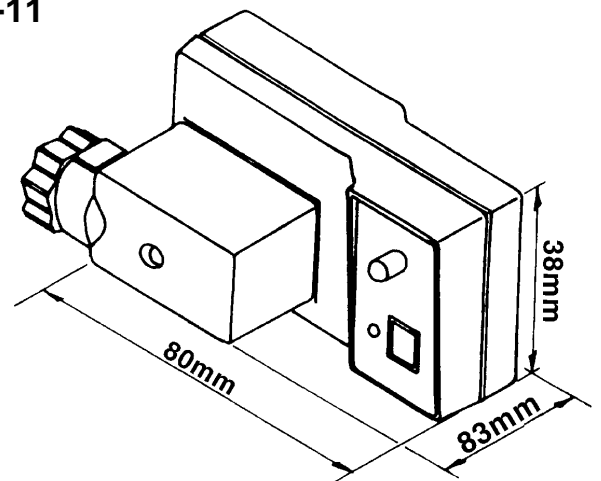
How to order



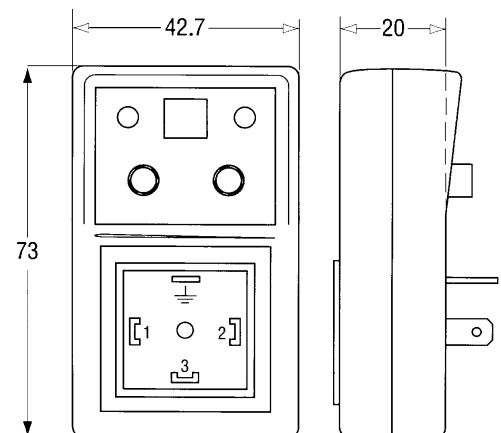
● Specification Chart



TEC-11



TEC-22



Notes:

1. Supply voltage : 24 ~ 240 VAC/VDC $\pm 10\%$ 50/60 Hz.
2. Manual test switch : yes.
3. Current consumption : 4mA Maximun.
4. Environmental protection : NEMA 4 when installed.
5. Case material : ABS plastic FR grade.